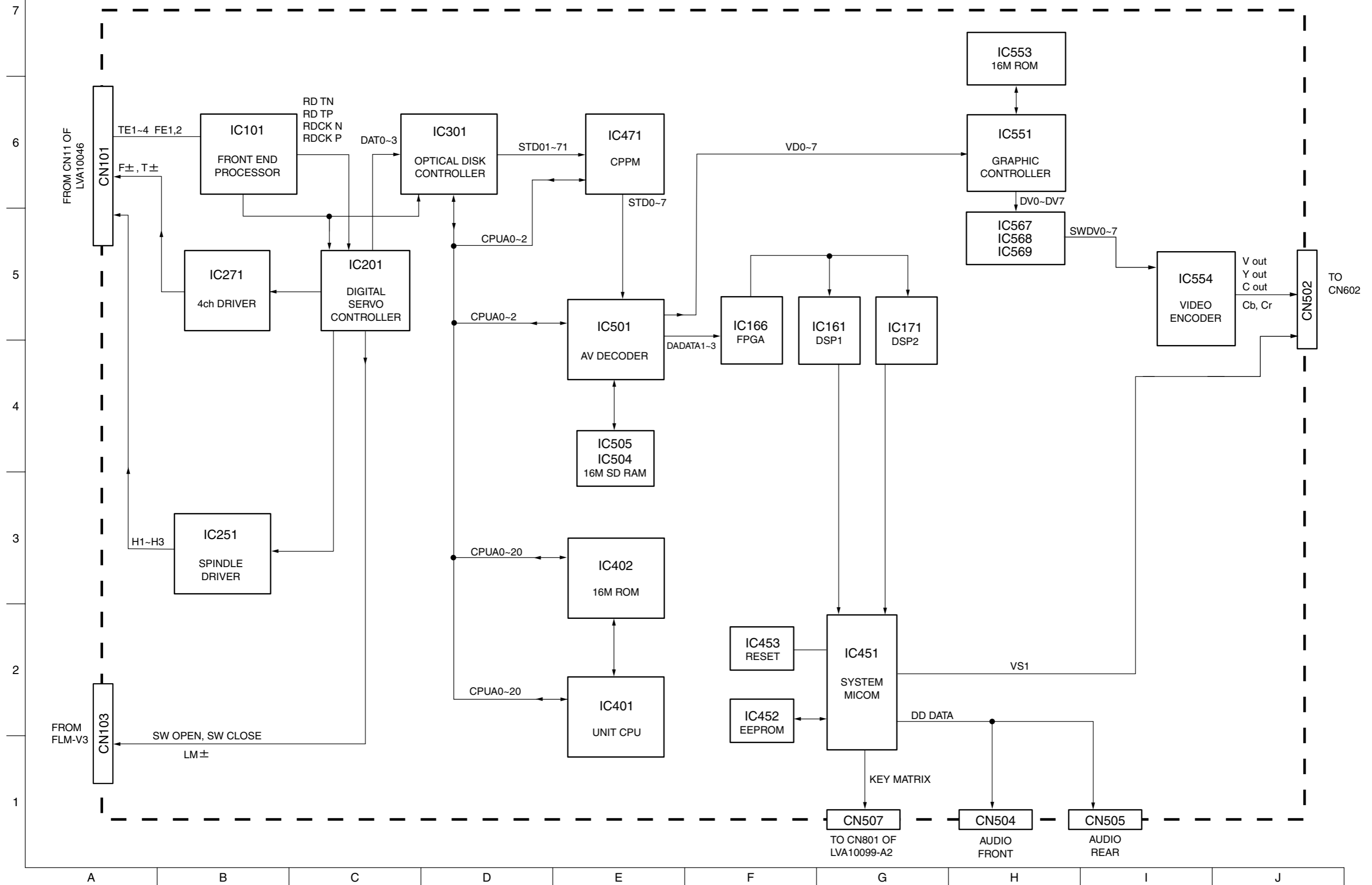
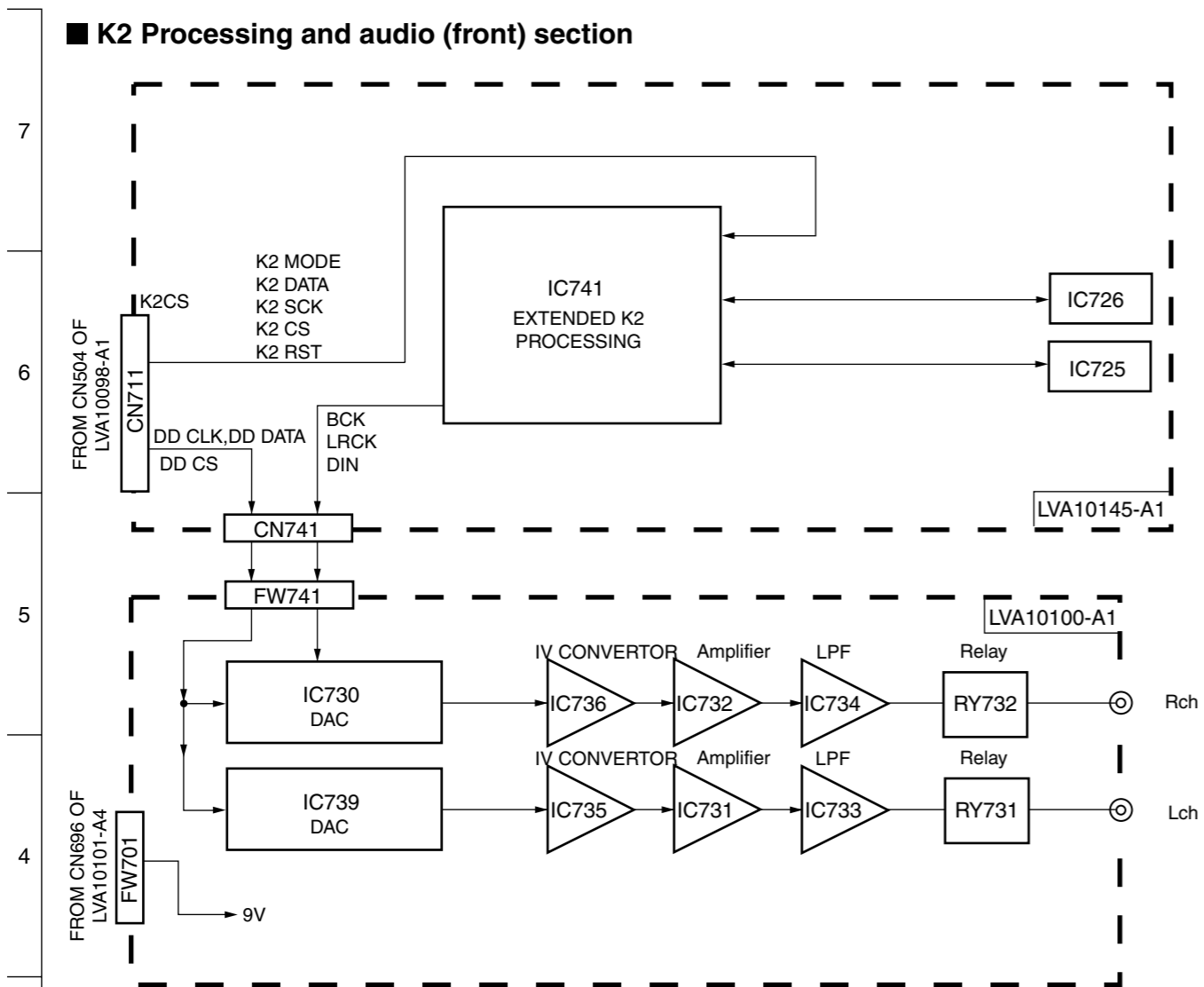


Block diagrams

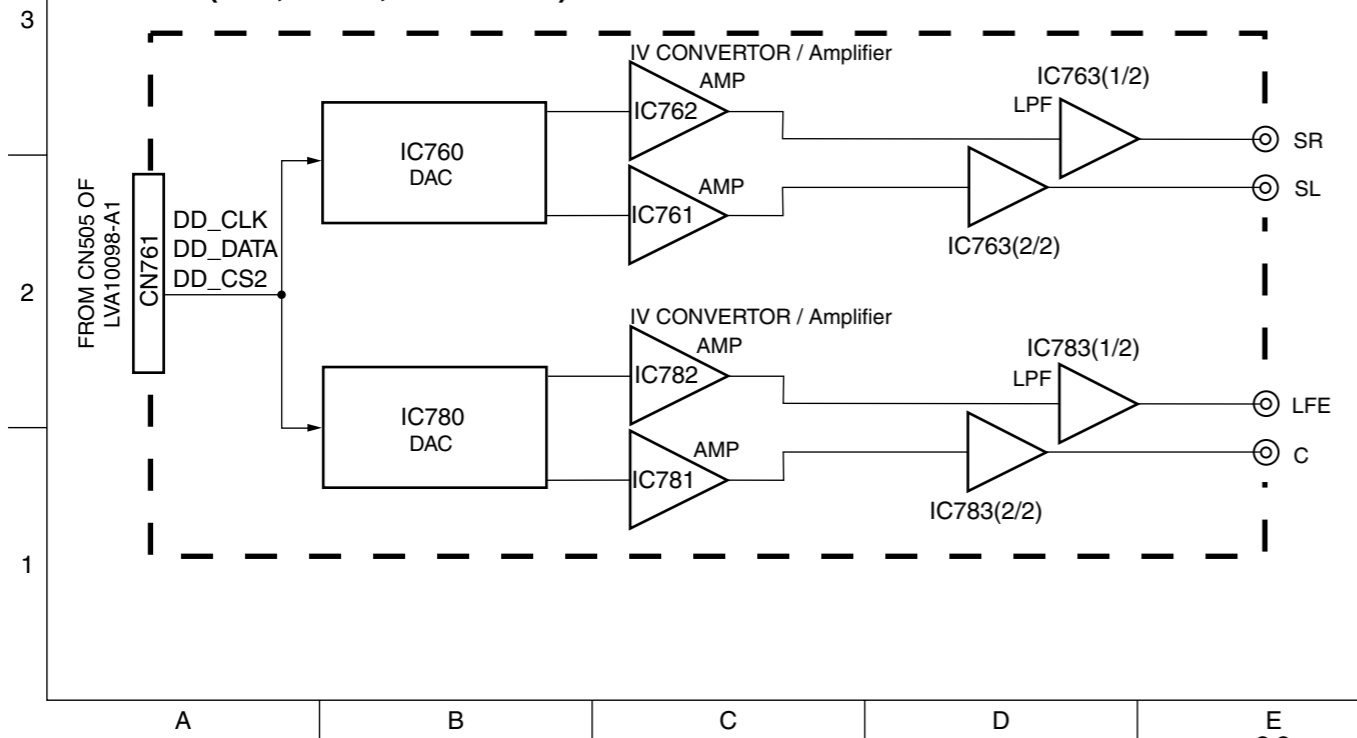
■ Main section



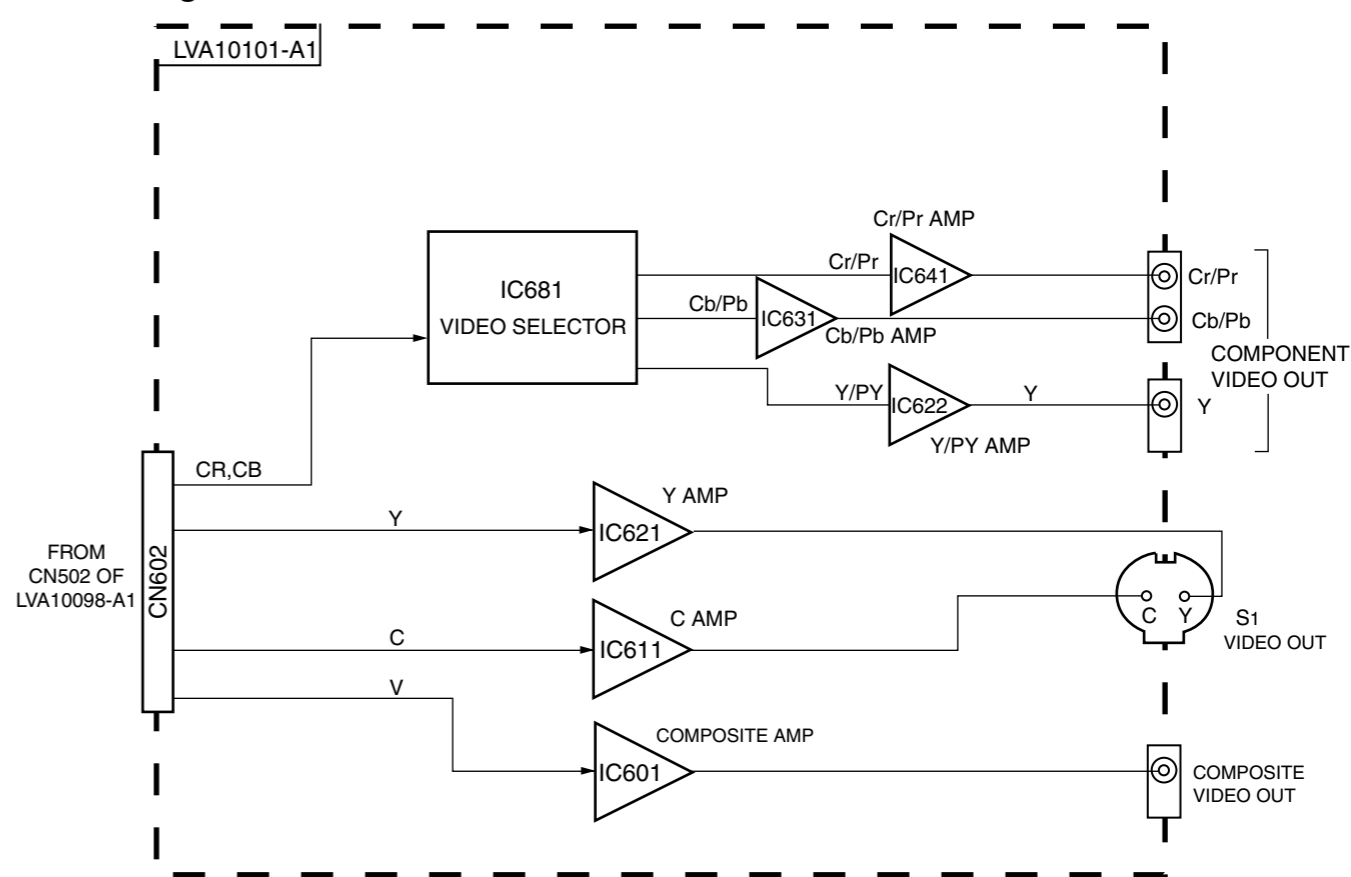
■ K2 Processing and audio (front) section



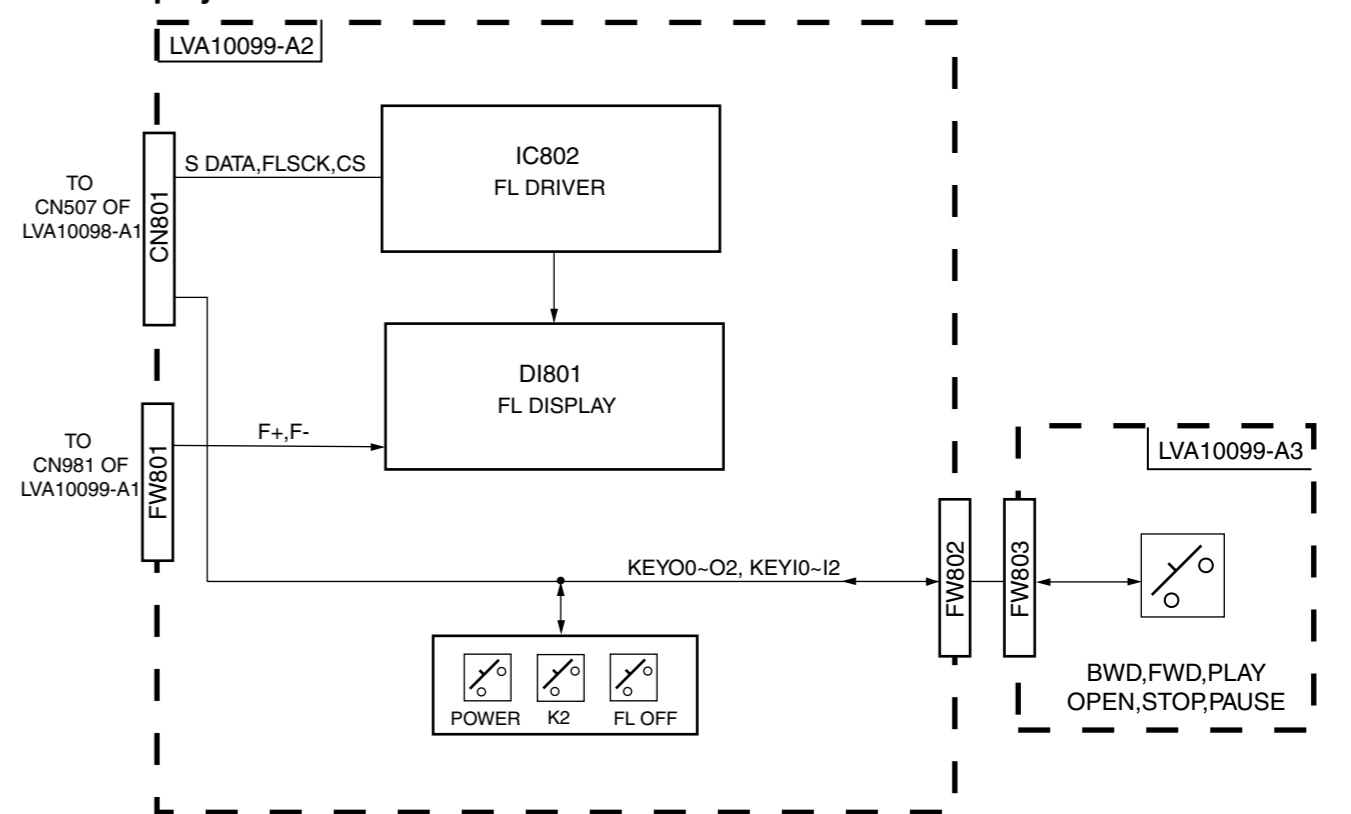
■ Audio (rear, center, sub woofer) section



■ Video signal section

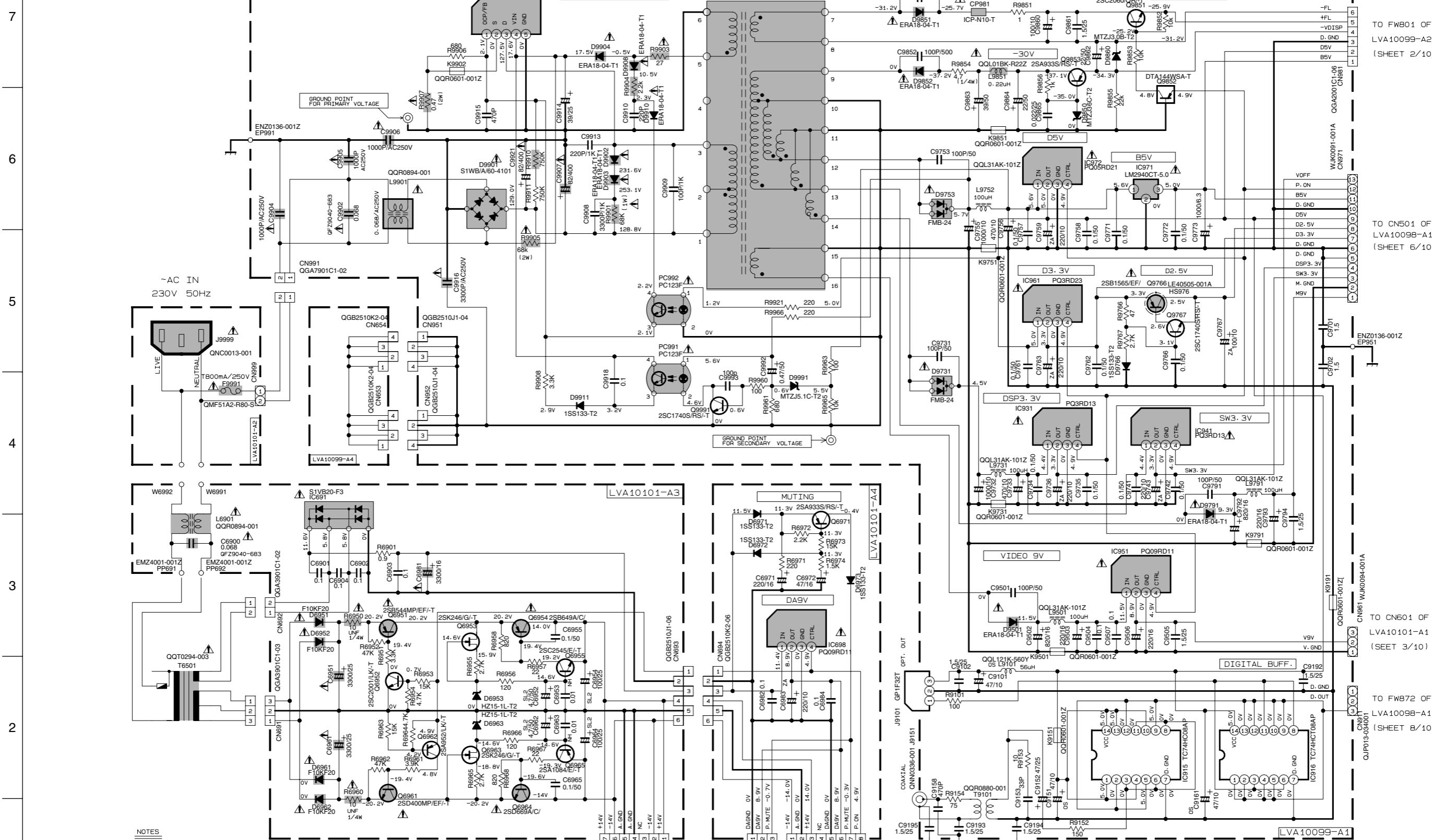


■ FL Display section



Standard schematic diagrams

Power supply section

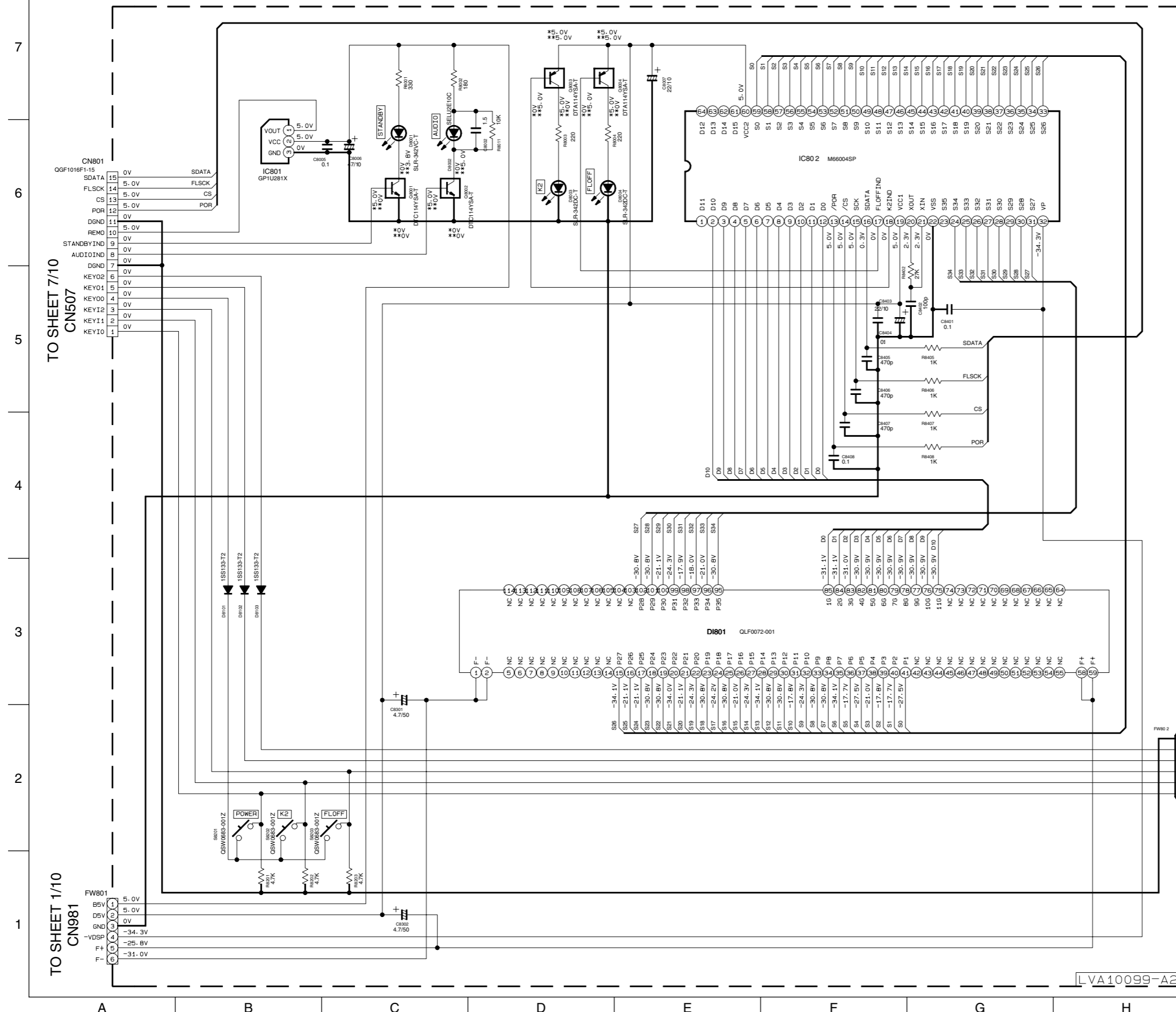


NOTES
 1. VOLTAGES ARE DC-MEASURED WITH A DIGITAL VOLT METER WITHOUT INPUT SIGNAL.
 CONDITION --- DVD STOP MODE
 2. UNLESS OTHERWISE SPECIFIED.

- ALL RESISTORS ARE 1/4W ±5% CARBON RESISTOR.
- ALL RESISTANCE VALUES ARE IN OHM(Ω).
- ALL CAPACITANCE VALUES ARE IN μF(P=pF).
- ALL E.CAPACITORS ARE SHOWN IN THE FORM OF CAPACITANCE(μF)/RATED VOLTAGE (V).
- ALL INDUCTANCE VALUES ARE IN μH(m=mH).

TO FW731 & FW732 OF LVA10100-A1 (SHEET 4/10)
 TO FW701 OF LVA10100-A1 (SHEET 4/10)
 TO FW751 OF LVA10100-A2 (SHEET 5/10)
 TO FW801 OF LVA10099-A2 (SHEET 2/10)
 TO CN501 OF LVA10098-A1 (SHEET 6/10)
 TO CN601 OF LVA10101-A1 (SEET 3/10)
 TO FW872 OF LVA10098-A1 (SHEET 8/10)
 Parts are safety assurance parts. When replacing those parts make sure to use the specified one.

FL Display section

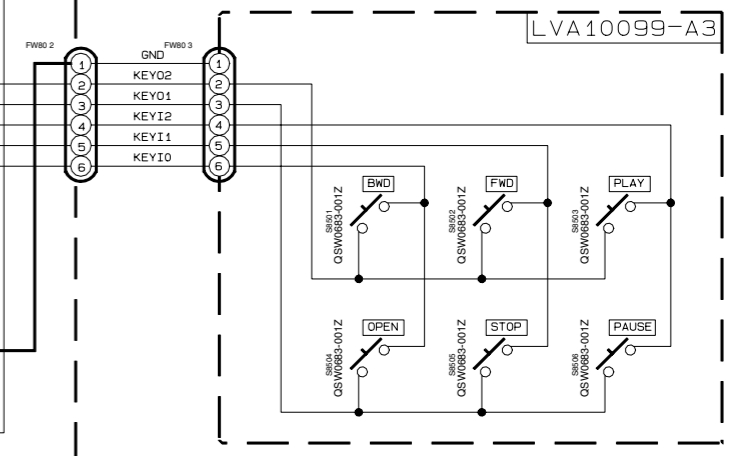


TO SHEET 7/10
CN507

TO SHEET 1/10
CN981

NOTES

- VOLTAGES ARE DC-MEASURED WITH A DIGITAL VOLT METER
CONDITION --- DVD STOP MODE
- UNLESS OTHERWISE SPECIFIED.
ALL RESISTORS ARE 1/4W ±5% CARBON RESISTOR.
ALL CAPACITORS ARE 50V CERAMIC CAPACITOR OR 50V MYLAR CAPACITOR.
ALL RESISTANCE VALUES ARE IN Ω(M).
ALL CAPACITANCE VALUES ARE IN μF(P=PF).
ALL E. CAPACITORS ARE SHOWN IN THE FORM OF
CAPACITANCE(μF) /RATED VOLTAGE (V).



XV-D9000

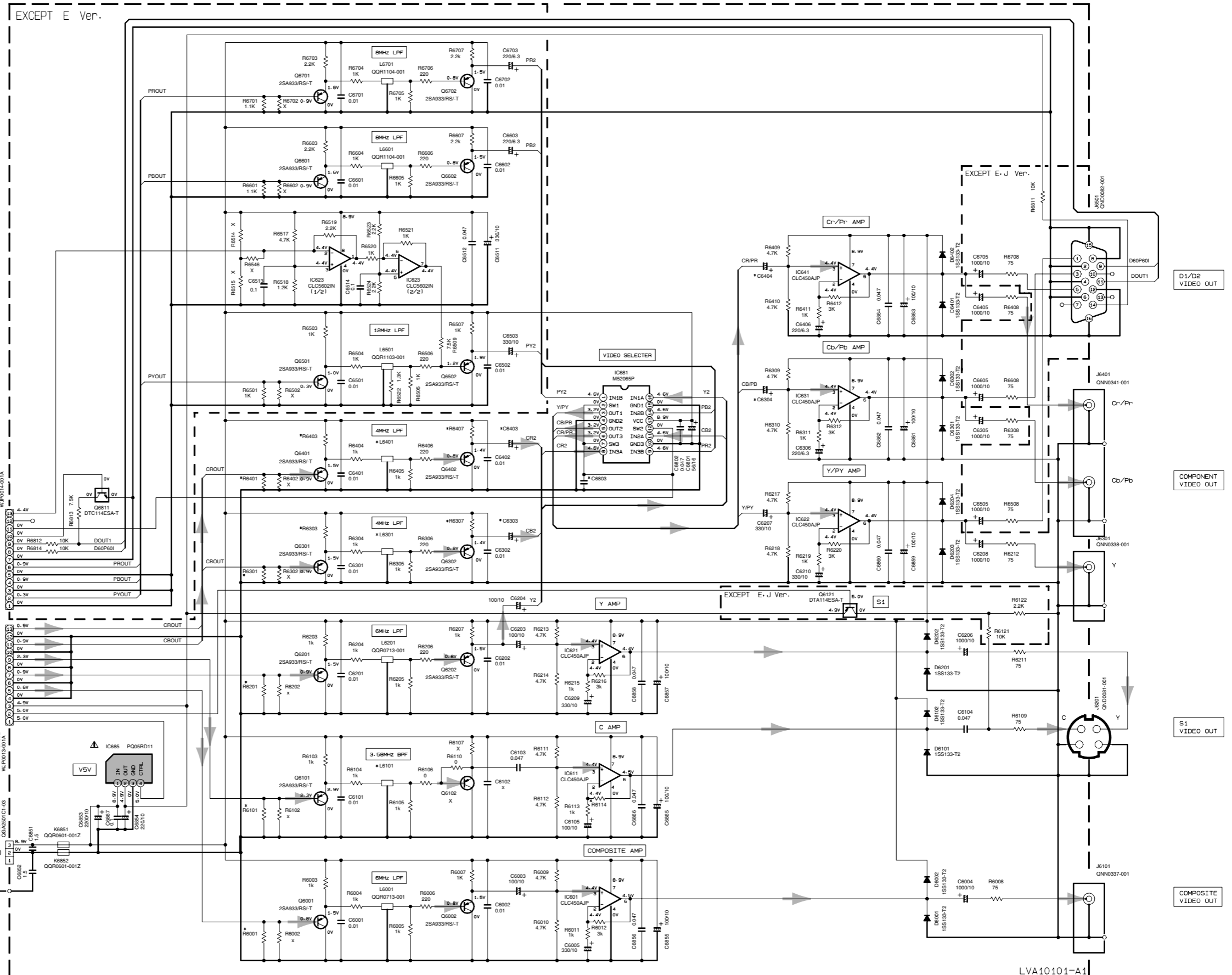
SHEET 2/10

LVA10099-A2

LVA10099-A3

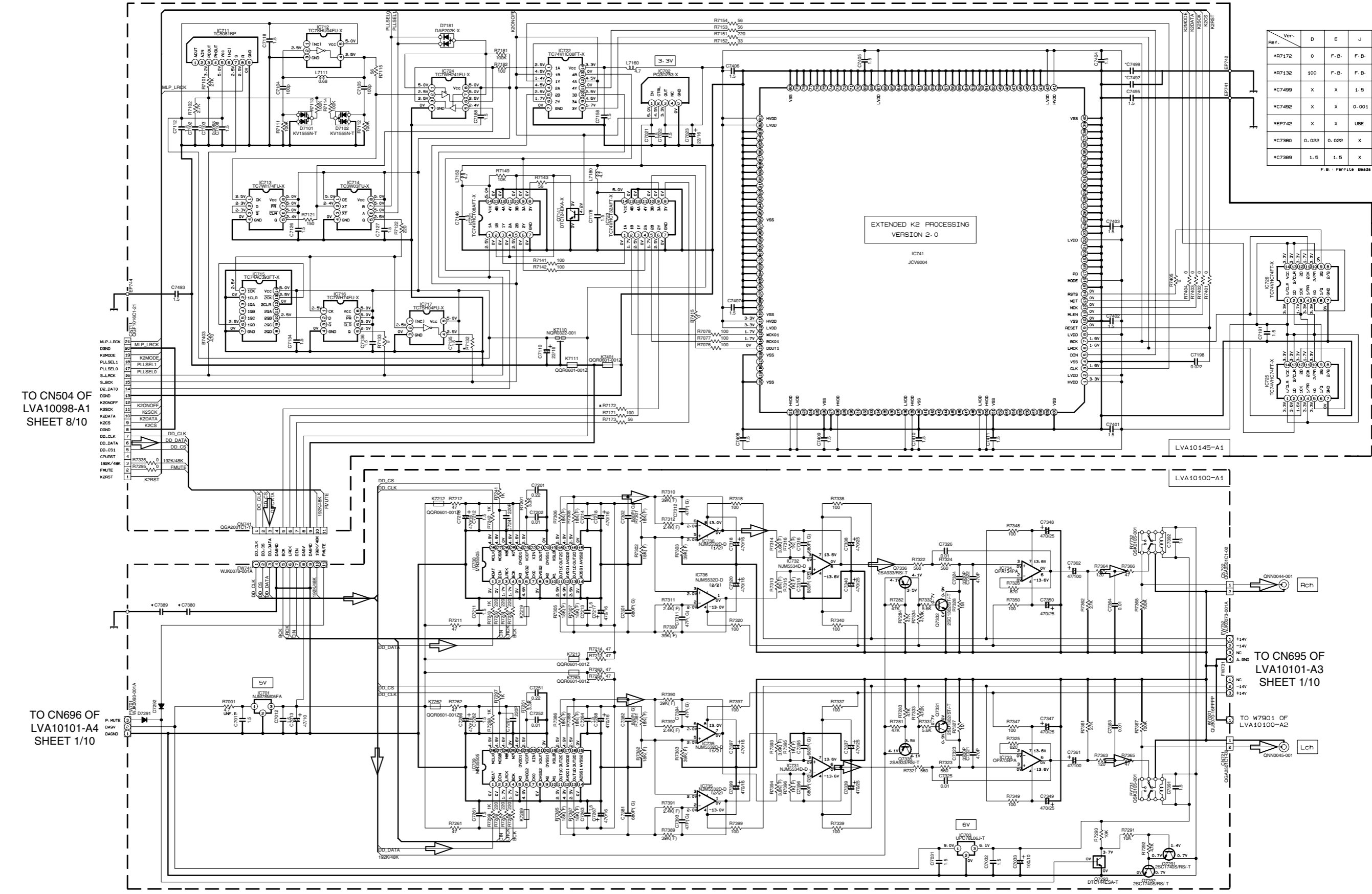
Video signal section

REF.	E	D/J
*L6101	QGR0713-001	QGR0714-001
*L6301	QGR0713-001	QGR0712-001
*L6401	QGR0713-001	QGR0712-001
*C6803	SHORT (B6803)	1.5
*R6001	1.5K	1.1K
*R6101	4.7K	3.3K
*R6201	2.2K	1.2K
*R6301	2.2K	750
*R6401	2.2K	750
*R6114	4.3K	3.9K
*R6303	1K	2.2K
*R6403	1K	2.2K
*R6307	1K	2.2K
*R6407	1K	2.2K
*C6303	100/10	27/35
*C6403	100/10	27/35
*C6304	330/10	220/6.3
*C6404	330/10	220/6.3



K2 Processing and audio (front) section

7
6
5
4
3
2
1



Ref.	Ver.	D	E	J
*R7172	0	F.B.	F.B.	
*R7132	100	F.B.	F.B.	
*C7499	X	X	1.5	
*C7492	X	X	0.001	
*EP742	X	X	USE	
*C7380	0.022	0.022	X	
*C7389	1.5	1.5	X	

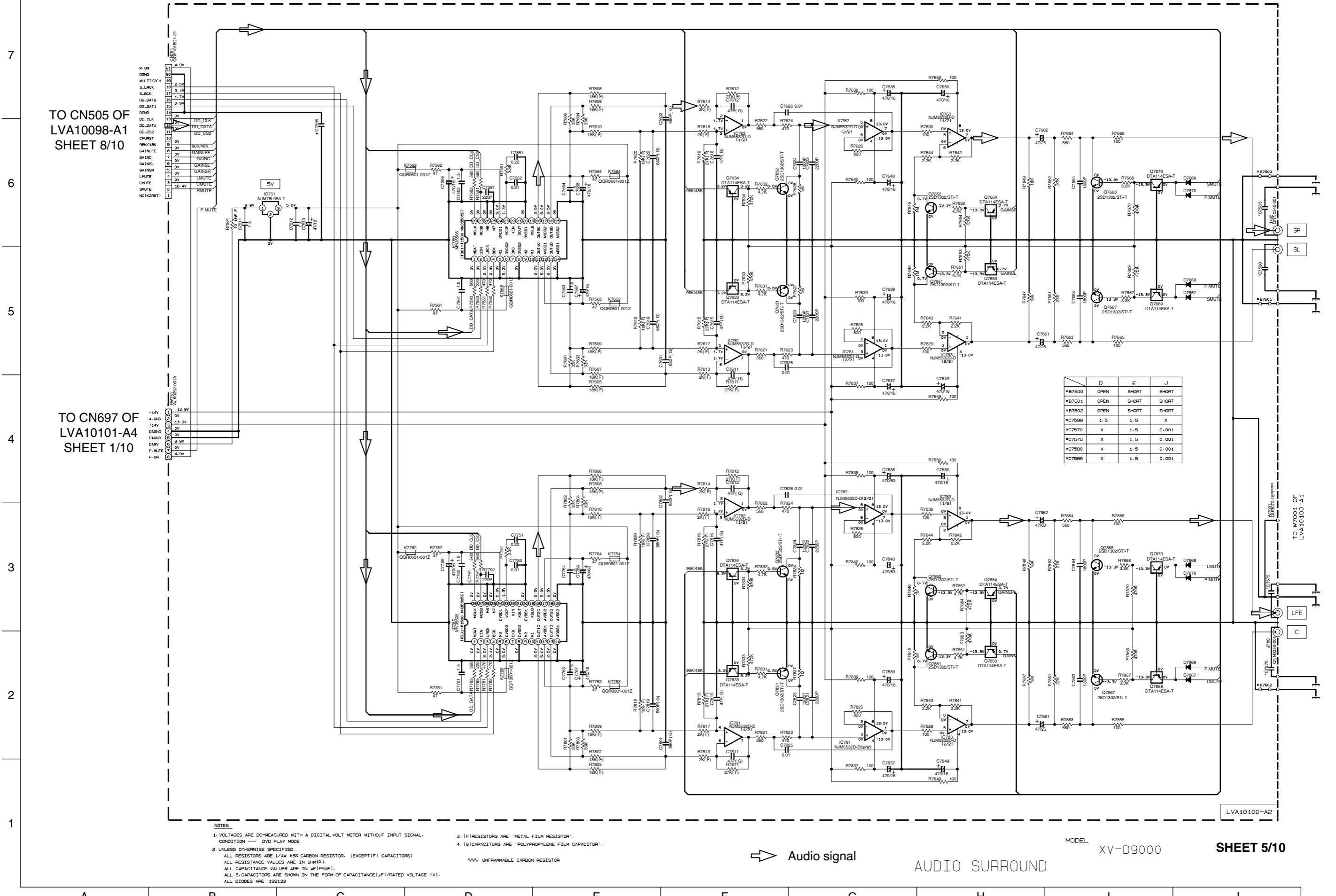
F.B.: Ferrite Beads

- NOTES
- VOLTAGES ARE DC-MEASURED WITH A DIGITAL VOLT METER WITHOUT INPUT SIGNAL. CONDITION --- DVD STOP MODE
 - UNLESS OTHERWISE SPECIFIED, ALL RESISTORS ARE ±5% CARBON RESISTOR. (EXCEPT (F) CAPACITORS) ALL RESISTANCE VALUES ARE IN OHM (Ω). ALL CAPACITANCE VALUES ARE IN #1P#PF1. ALL CAPACITORS ARE SHOWN IN THE FORM OF CAPACITANCE(μF)/RATED VOLTAGE (V). ALL DIODES ARE 1S5133
 - (F) RESISTORS ARE "METAL FILM RESISTOR".
 - (G) CAPACITORS ARE "POLYPROPYLENE FILM CAPACITOR".

Audio signal AUDIO FRONT

MODEL XV-D9000 SHEET 4/10

Audio (rear,center.sub woofer) section



NOTES
 1. VOLTAGES ARE DC-MEASURED WITH A DIGITAL VOLT METER WITHOUT INPUT SIGNAL-CONDITION DVD PLAY MODE.
 2. UNLESS OTHERWISE SPECIFIED:
 ALL RESISTORS ARE 1/4W ±5% CARBON RESISTOR. (EXCEPT (F) CAPACITORS)
 ALL RESISTANCE VALUES ARE IN OHM(Ω).
 ALL CAPACITANCE VALUES ARE IN pF(pF).
 ALL E-CAPACITORS ARE SHOWN IN THE FORM OF CAPACITANCE(pF)/RATED VOLTAGE (V).
 ALL DIODES ARE 1SS133
 3. (F)RESISTORS ARE "METAL FILM RESISTOR".
 4. (G)CAPACITORS ARE "POLYPROPYLENE FILM CAPACITOR".
 ~~~ UNFRAMMABLE CARBON RESISTOR

➡ Audio signal

AUDIO SURROUND

MODEL XV-D9000

SHEET 5/10

A B C D E F G H I J

DVD Servo control section

| Ref.  | D | E | J    |
|-------|---|---|------|
| H1151 | 0 | 0 | F.B. |
| H1152 | 0 | 0 | F.B. |
| H1153 | 0 | 0 | F.B. |
| H1154 | 0 | 0 | F.B. |

F.B. Ferrite Beads

FROM CN11 OF LVA10046 SHEET 10/10

FROM FLM-V3

FROM CN971 OF LVA10099-A1 SHEET 1/10

OGA2001C2-13X CN501

LVA10098-A1

XV-D9000 MAIN P.W.B

LVS10037-008A  
LVS10037-007A  
LVS10037-008A

NOTES  
1. VOLTAGES ARE DC-MEASURED WITH A DIGITAL VOLT METER  
CONDITION: --- DISK STOP MODE  
2. UNLESS OTHERWISE SPECIFIED:  
ALL RESISTORS ARE 1/8W AXIAL METAL GLAZE RESISTOR.  
ALL CAPACITORS ARE 50V CERAMIC CAPACITOR OR 50V AXIAL CAPACITOR.  
ALL RESISTANCE VALUES ARE IN OHMS (Ω).  
ALL CAPACITANCE VALUES ARE IN pF (PF).  
ALL E-CAPACITORS ARE SHOWN IN THE FORM OF CAPACITANCE (μF) / RATED VOLTAGE (V).  
ALL INDUCTANCE VALUES ARE IN μH (μH).

MODEL XV-D9000

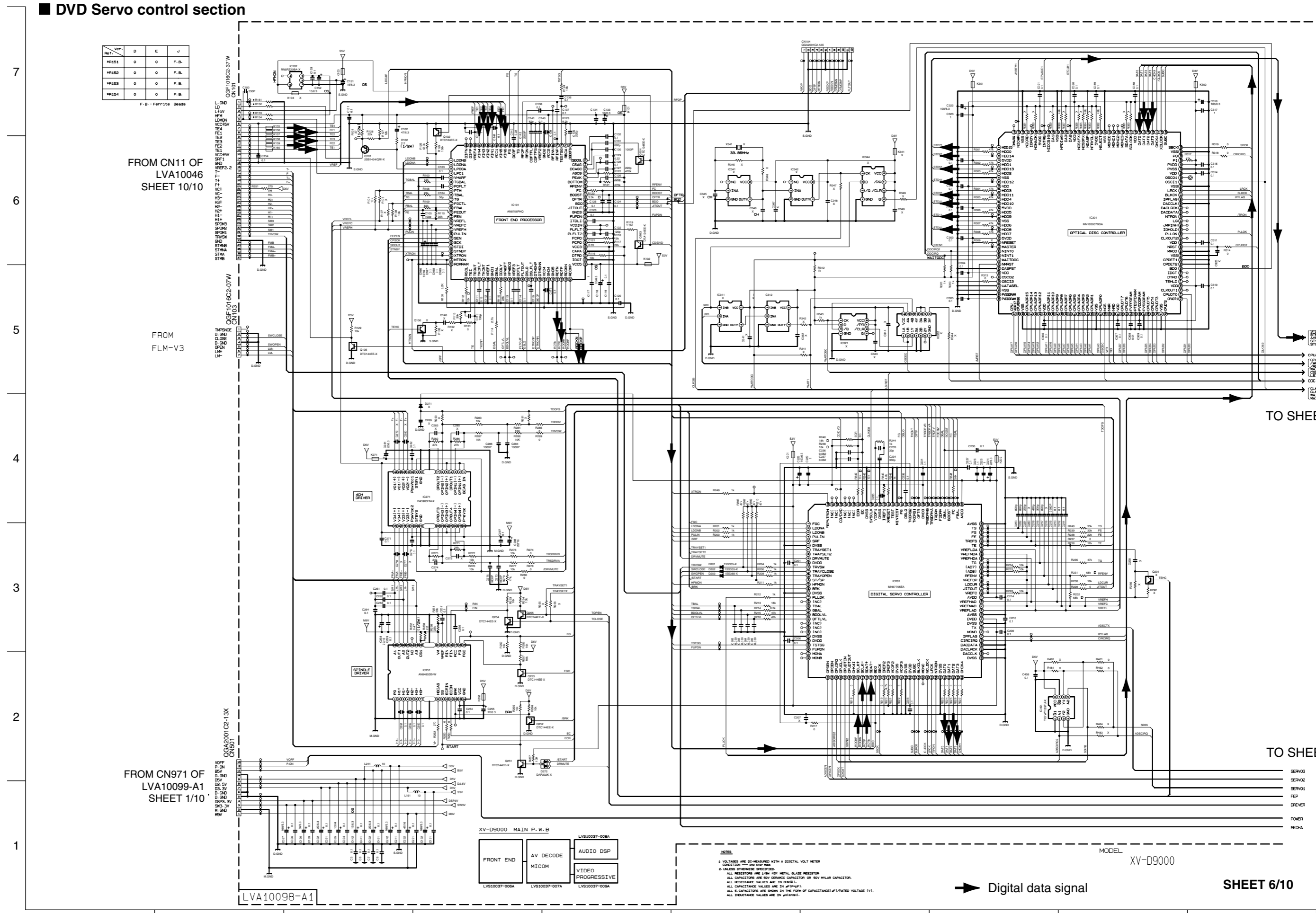
Digital data signal

SHEET 6/10

TO SHEET 7/10

TO SHEET 7/10

SERV03  
SERV02  
SERV01  
FEP  
DRIVER  
POWER  
MECHA





AV Decoder and system controller section

TO CN801  
SHEET 2/10

TO FRONT  
TO SHEET 9/10  
TO SHEET 9/10

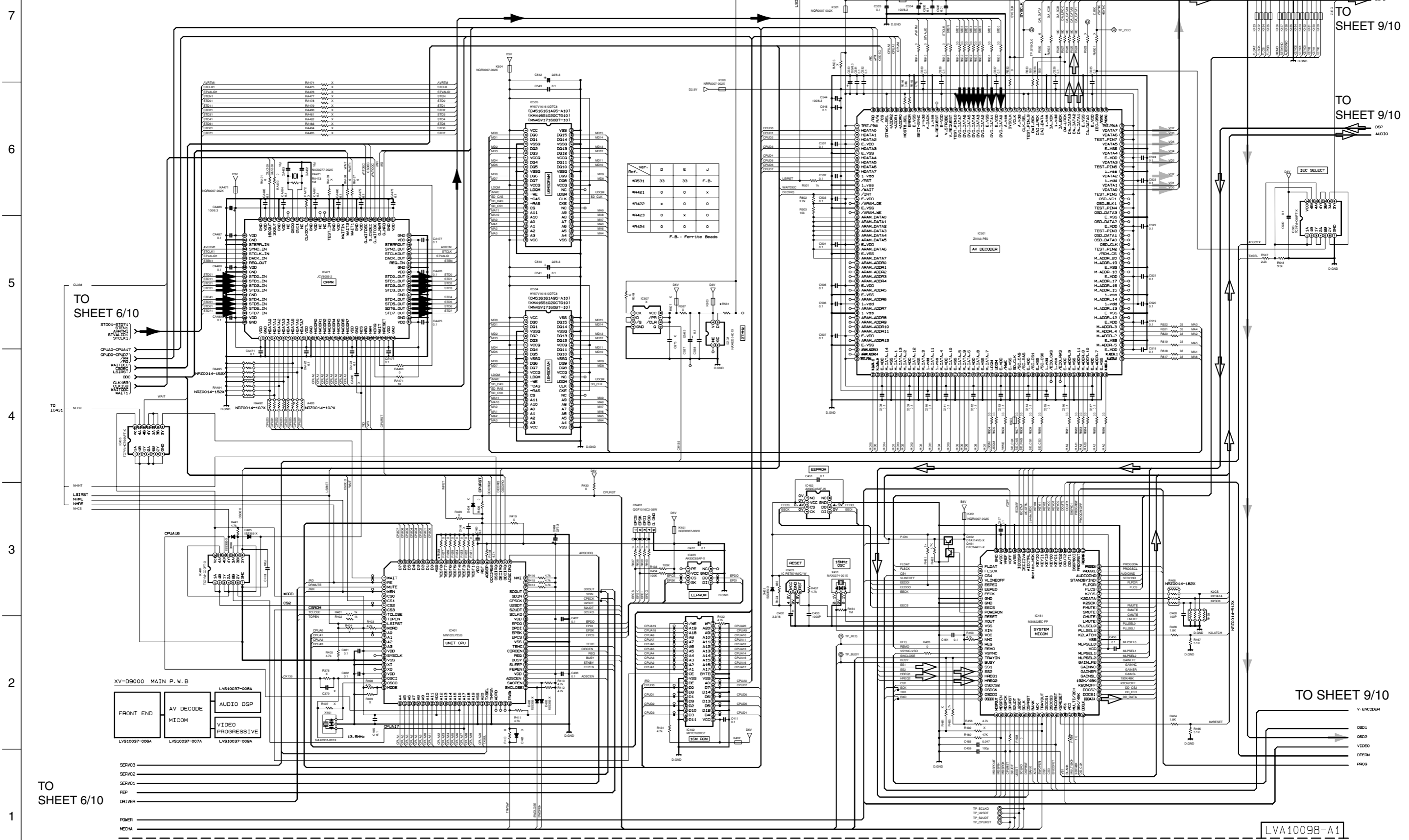


Table with 4 columns: Ref., Ver., D, E, J. Rows include FR31, FR32, FR33, FR34, FR35, FR36, FR37, FR38, FR39, FR40, FR41, FR42, FR43, FR44, FR45, FR46, FR47, FR48, FR49, FR50, FR51, FR52, FR53, FR54, FR55, FR56, FR57, FR58, FR59, FR60, FR61, FR62, FR63, FR64, FR65, FR66, FR67, FR68, FR69, FR70, FR71, FR72, FR73, FR74, FR75, FR76, FR77, FR78, FR79, FR80, FR81, FR82, FR83, FR84, FR85, FR86, FR87, FR88, FR89, FR90, FR91, FR92, FR93, FR94, FR95, FR96, FR97, FR98, FR99, FR100.

TO SHEET 6/10

TO SHEET 9/10

TO SHEET 6/10

Digital data signal, Audio signal, Video signal

XV-D9000 SHEET 7/10

LVA10098-A1

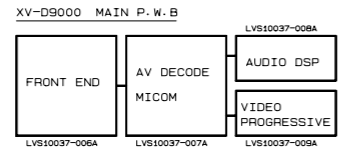
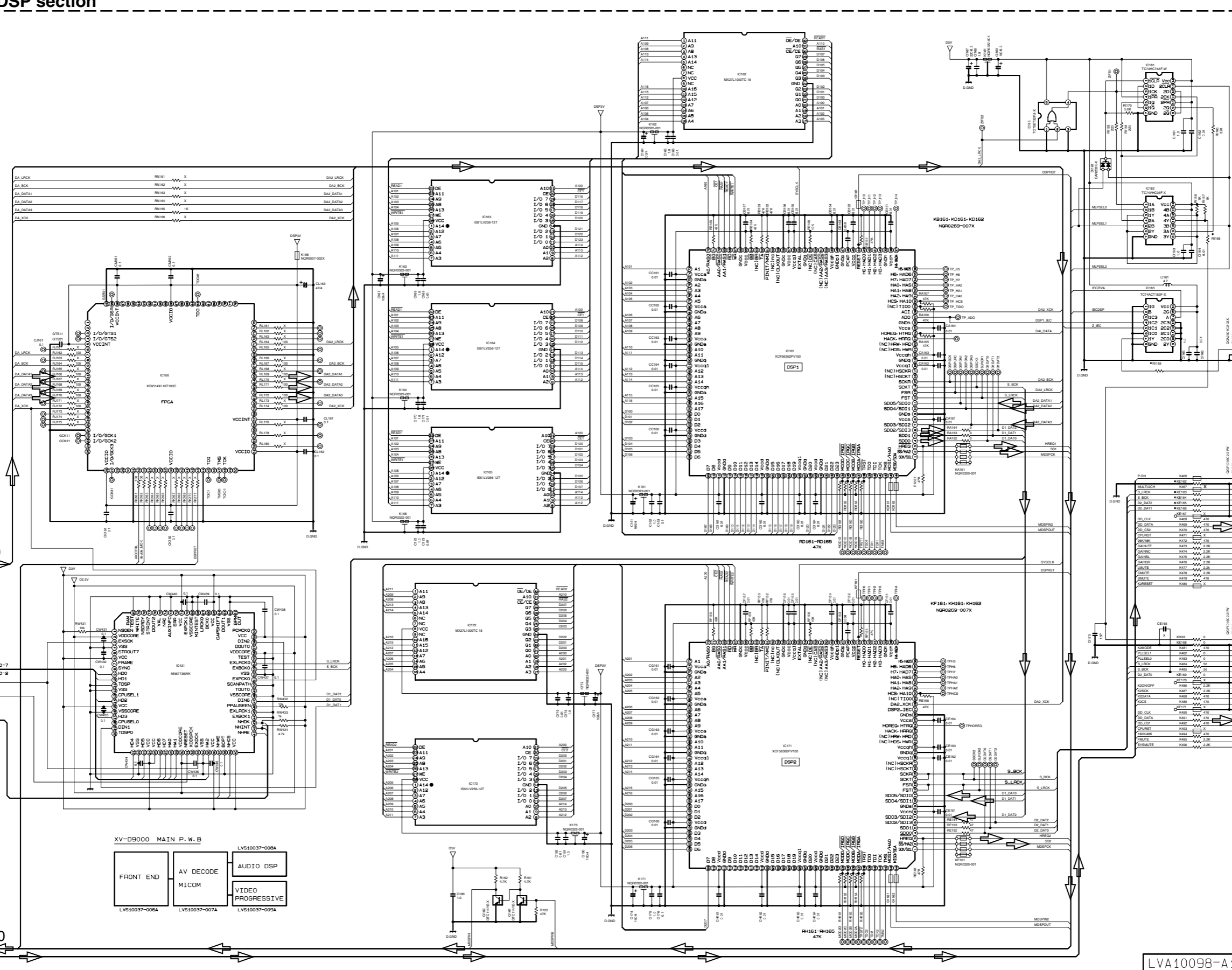
NOTES: 1. VOLTAGES ARE DC-MEASURED WITH A DIGITAL VOLT METER. 2. UNLESS OTHERWISE SPECIFIED. ALL CAPACITANCE VALUES ARE IN pF UNLESS OTHERWISE SPECIFIED. ALL RESISTORS ARE 1/8W 5% METAL GLAZE RESISTOR. ALL CAPACITORS ARE 50V 50% RH/50C CAPACITORS UNLESS OTHERWISE SPECIFIED. ALL INDUCTANCE VALUES ARE IN mH UNLESS OTHERWISE SPECIFIED.

Audio DSP section

7  
6  
5  
4  
3  
2  
1

TO SHEET 7/10

TO SHEET 7/10



| Ver.   | D   | E    | J    |
|--------|-----|------|------|
| +R1168 | 220 | F.B. | 220  |
| +R1169 | 47  | F.B. | F.B. |
| +KE162 | 0   | 0    | F.B. |
| +KE163 | 0   | F.B. | F.B. |
| +KE164 | 0   | F.B. | F.B. |
| +KE165 | 0   | F.B. | F.B. |
| +KE166 | 0   | F.B. | F.B. |

F.B.: Ferrite Beads

FROM CN761 OF LVA10100-A2 (SHEET 5/10)

FROM CN711 OF LVA10145-A1 (SHEET 4/10)

LVA10098-A1

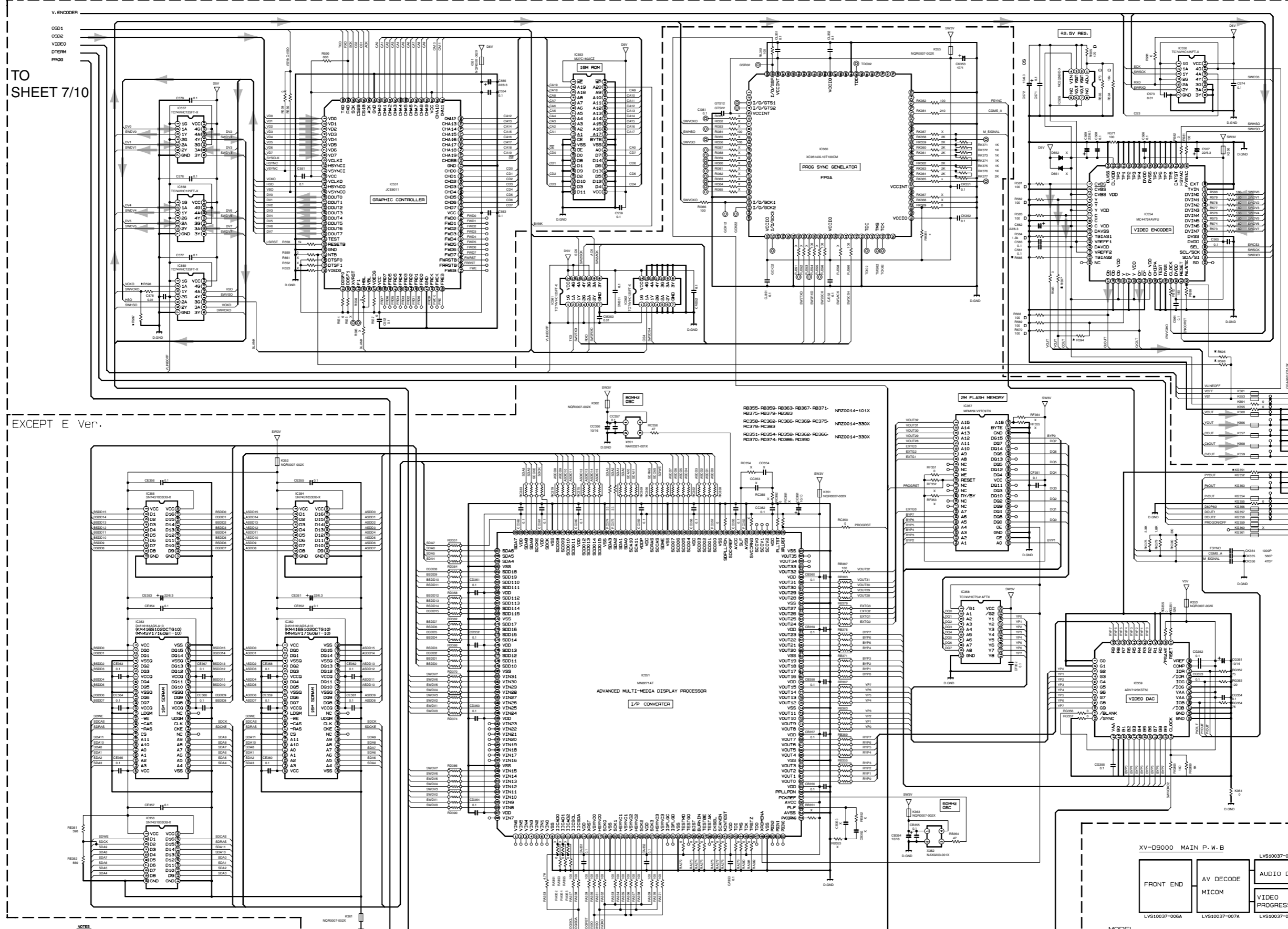
NOTES

- VOLTAGES ARE DC-MEASURED WITH A DIGITAL VOLT METER. CONDITION --- DSP STOP MODE
- UNLESS OTHERWISE SPECIFIED:
- ALL RESISTORS ARE 1/8W 1% METAL GLAZE RESISTOR.
- ALL CAPACITORS ARE 50V CERAMIC CAPACITOR OR 50V MYLAR CAPACITOR.
- ALL RESISTANCE VALUES ARE IN OHMS (Ω).
- ALL CAPACITANCE VALUES ARE IN PICOFARADS (pF).
- ALL E-CAPACITORS ARE SHOWN IN THE FORM OF CAPACITANCE (μF)/RATED VOLTAGE (V).
- ALL INDUCTANCE VALUES ARE IN μH (μH).

⇒ Audio signal

Video signal section

7  
6  
5  
4  
3  
2  
1



TO SHEET 7/10

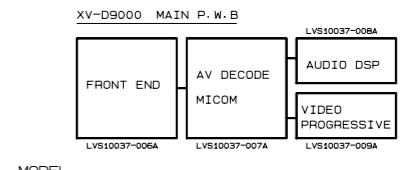
EXCEPT E Ver.

| Ver.  | D   | E   | J    |
|-------|-----|-----|------|
| #R567 | o   | x   | o    |
| #R564 | x   | o   | x    |
| #R566 | x   | o   | x    |
| #R568 | x   | o   | x    |
| #R569 | o   | x   | o    |
| #R568 | o   | x   | o    |
| #R561 | o   | o   | F.B. |
| #R566 | 330 | 330 | F.B. |
| #R567 | 680 | 680 | x    |

FROM CN602 OF LVA10101-A1 (SHEET 3/10)

FROM CN603 OF LVA10101-A1 (SHEET 3/10)

- NOTES
- VOLTAGES ARE DC-MEASURED WITH A DIGITAL VOLT METER CONNECTION --- 500 TOP HOOK
  - UNLESS OTHERWISE SPECIFIED, ALL RESISTORS ARE 1/4W 400V METAL GLAZE RESISTOR.
  - ALL CAPACITORS ARE 50V CERAMIC CAPACITOR OR 50V MYLAR CAPACITOR.
  - ALL RESISTANCE VALUES ARE IN OHMS.
  - ALL CAPACITANCE VALUES ARE IN pF (IF NOT).
  - ALL E. CAPACITORS ARE SHOWN IN THE FORM OF CAPACITANCE/ RATED VOLTAGE (V).
  - ALL INDUCTANCE VALUES ARE IN μH (IF NOT).

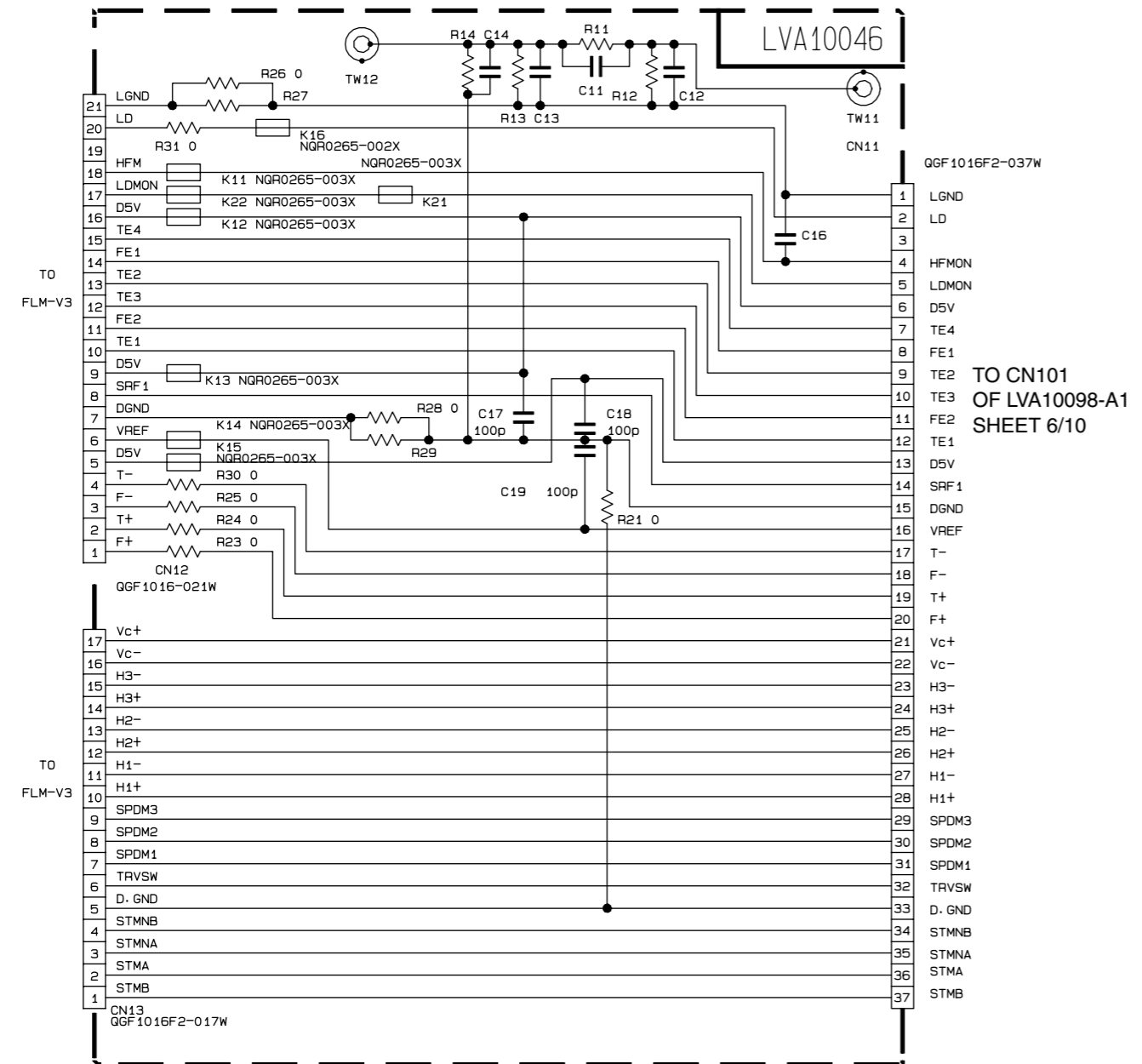


MODEL XV-D9000 SHEET 9/10

Video signal

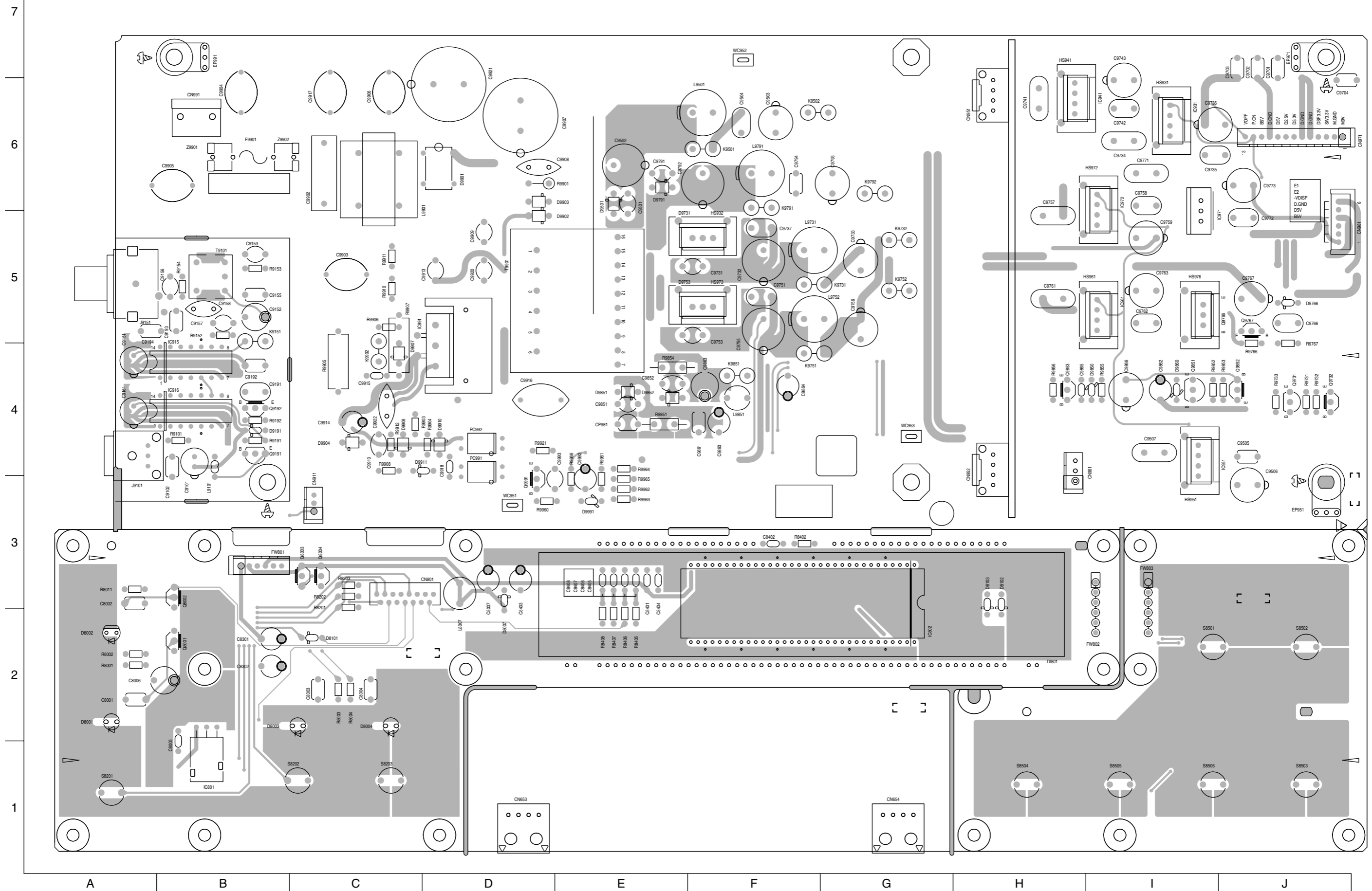
A B C D E F G H I J

■ Connect section



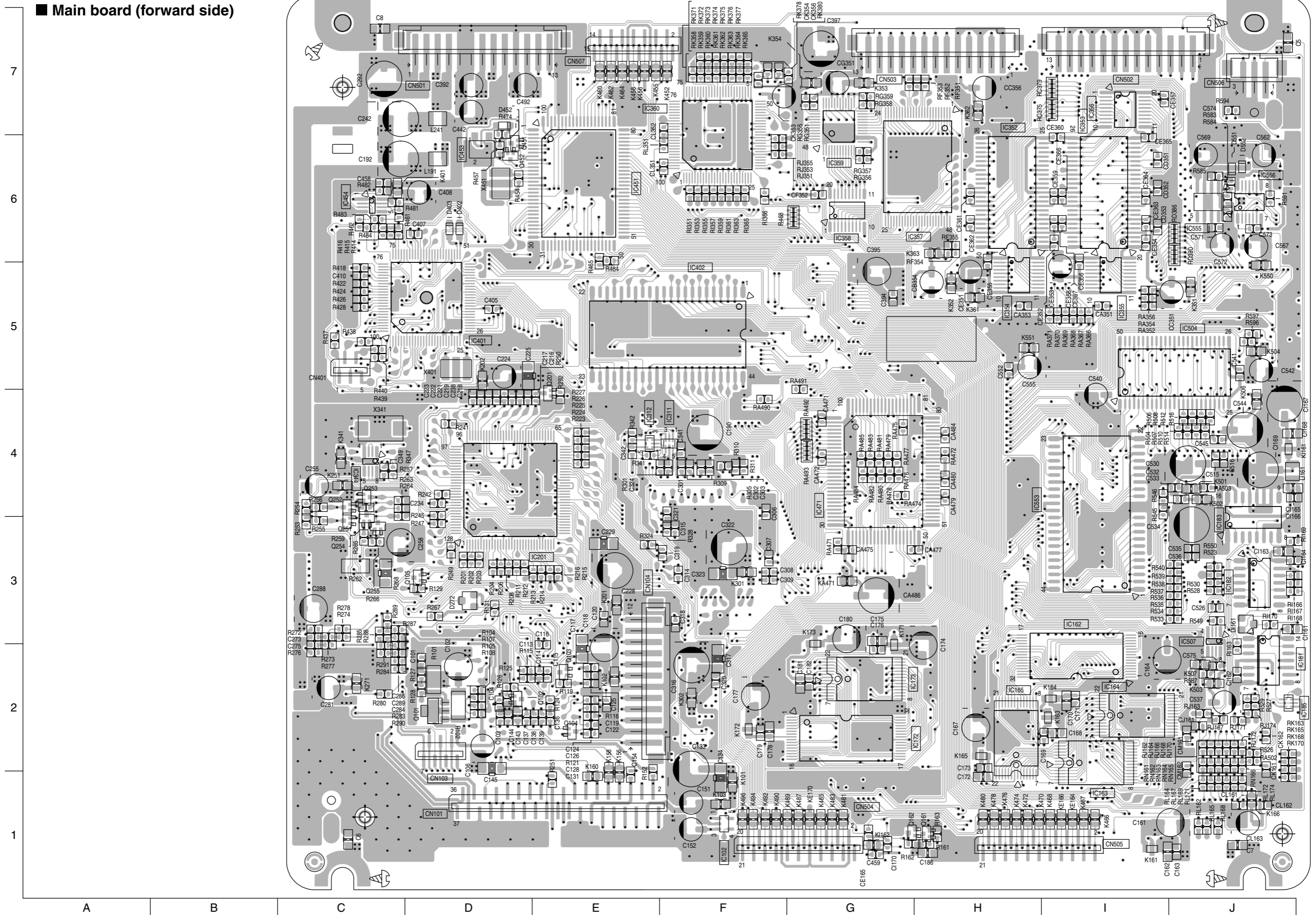
# Printed circuit boards

## ■ Power supply & FL display board (Forward side)





■ Main board (forward side)





■ Main board (reverse side)

7

6

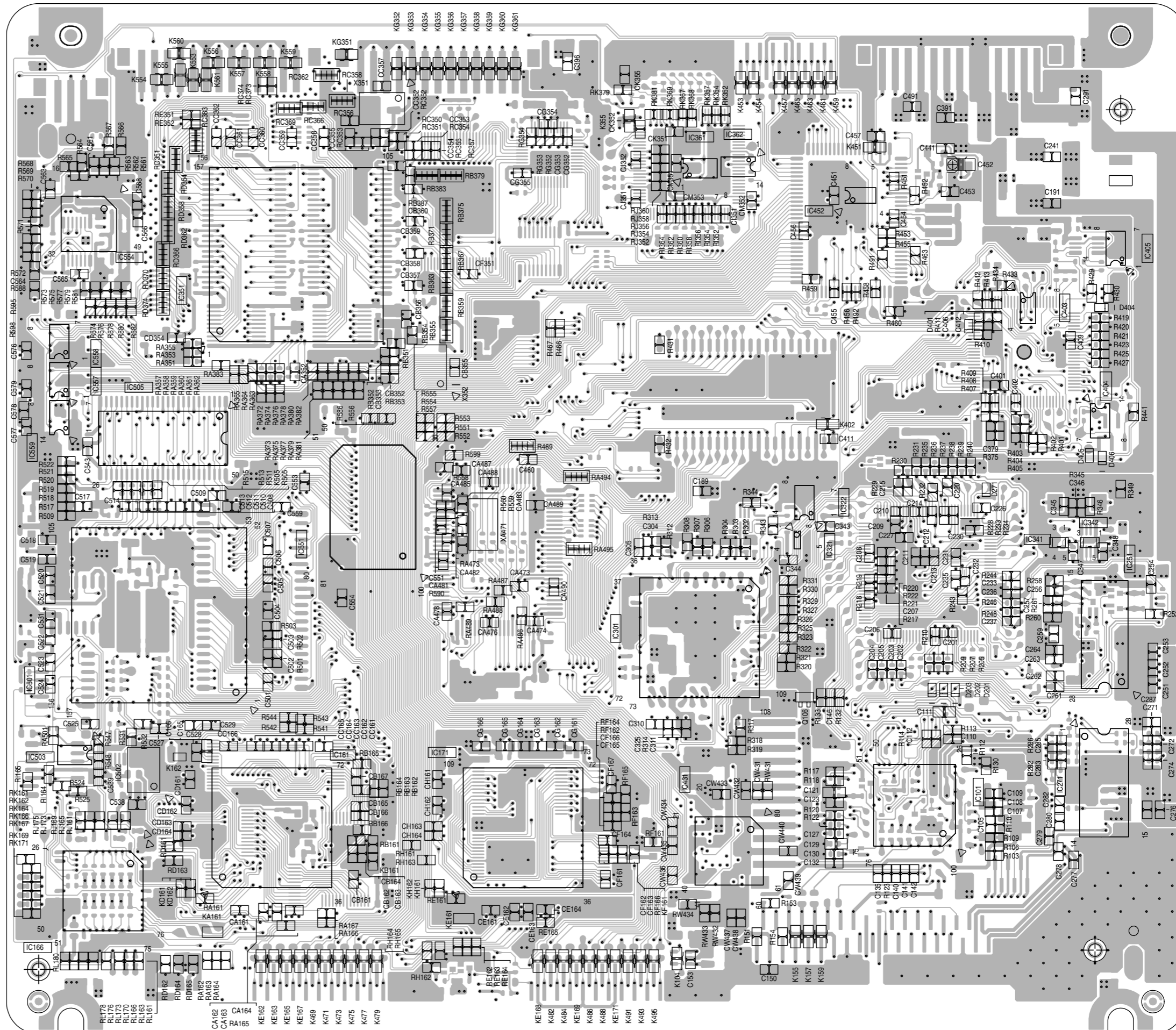
5

4

3

2

1



A

B

C

D

E

F

G

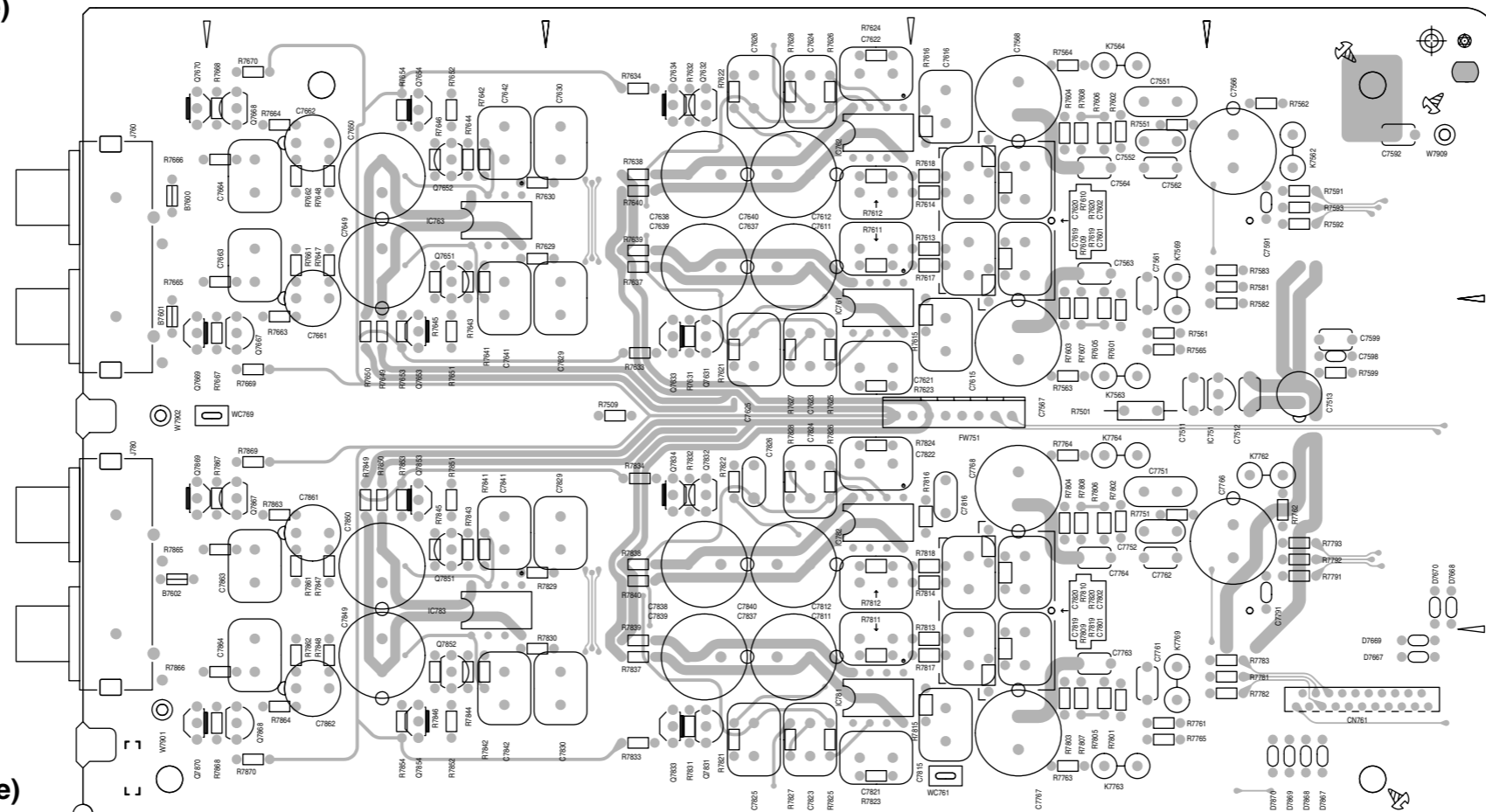
H

I

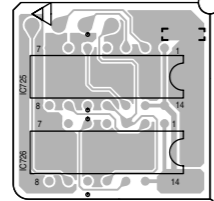
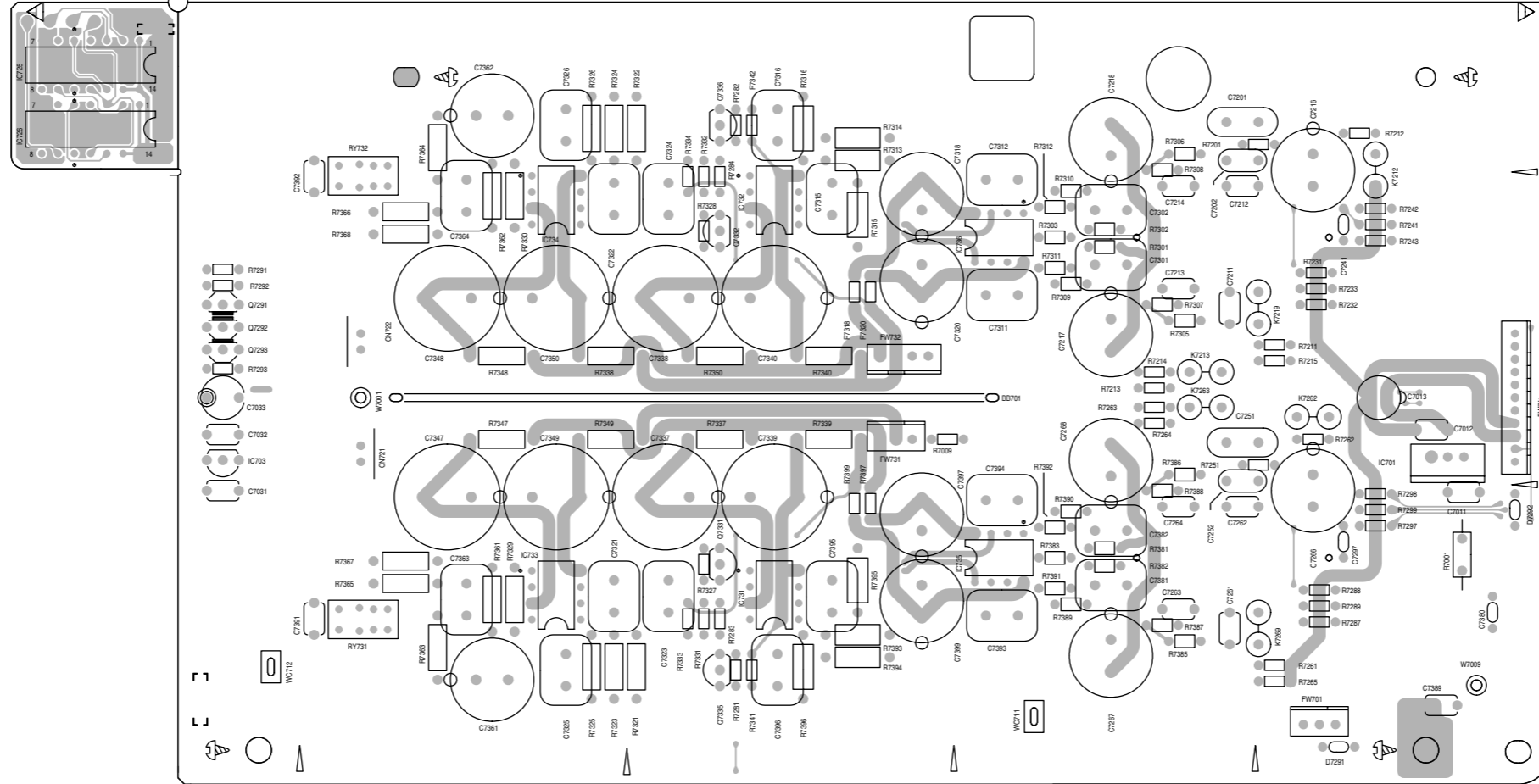
J



■ Audio-rear board (forward side)



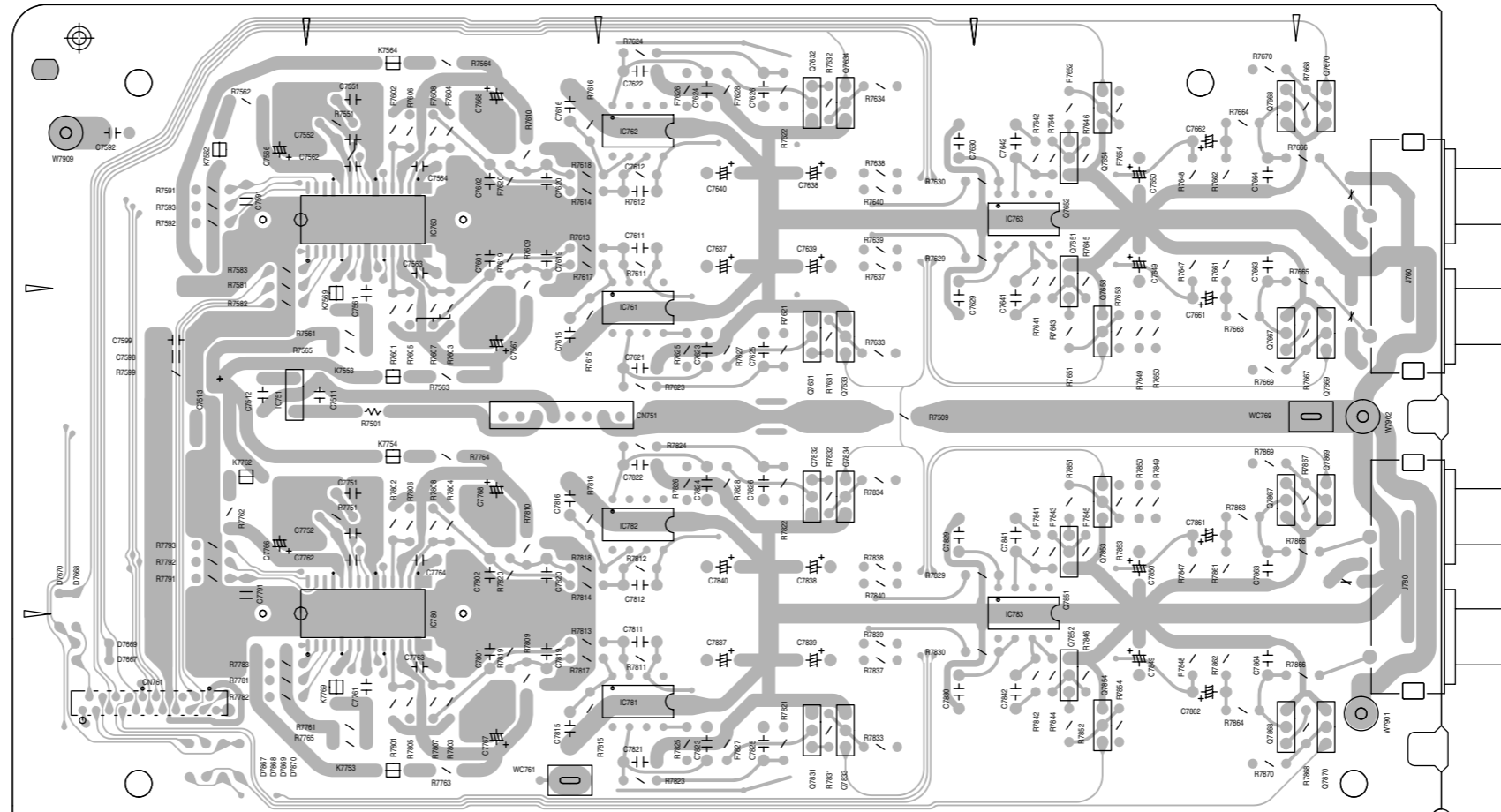
■ Audio-front board (forward side)



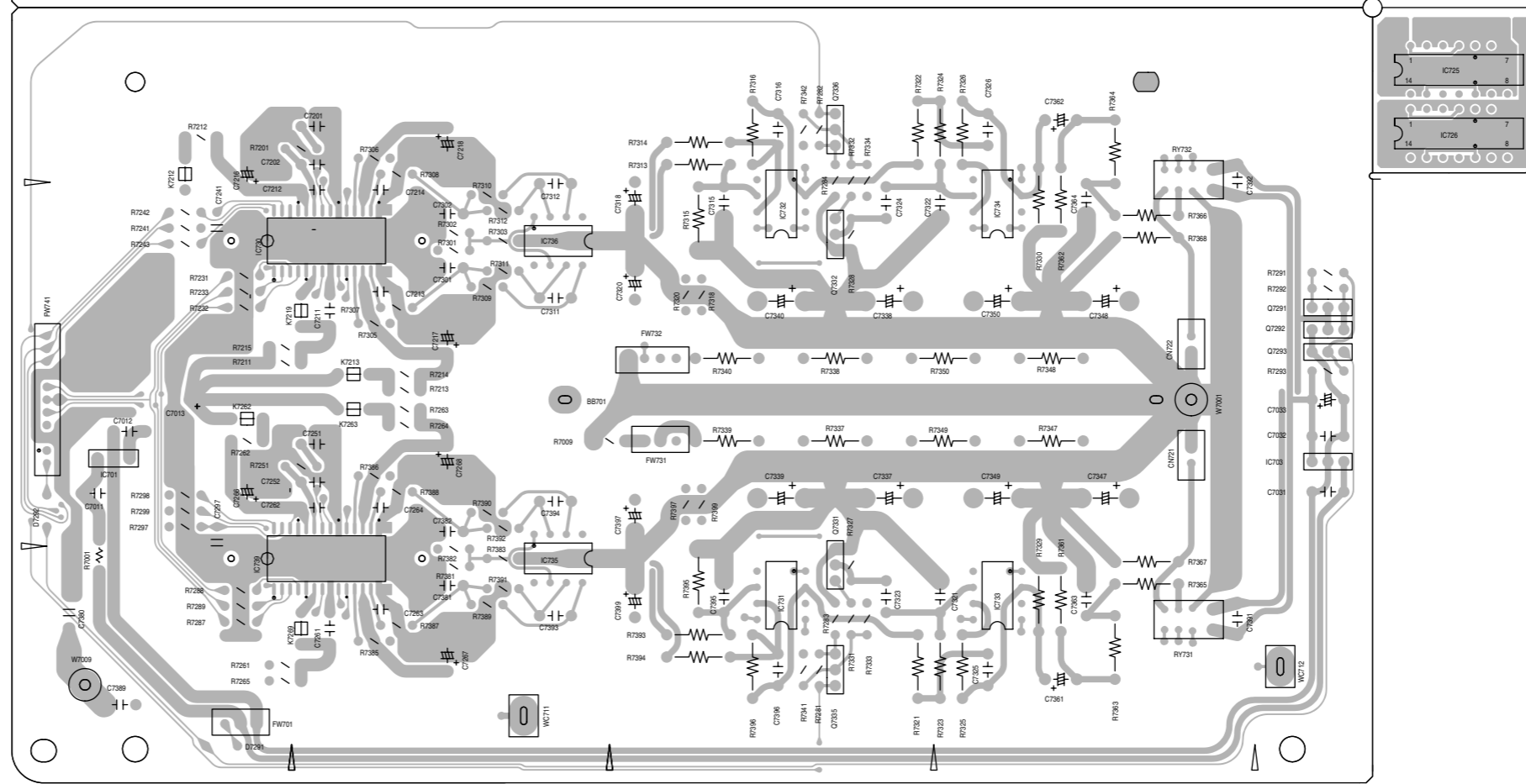
7  
6  
5  
4  
3  
2  
1

A B C D E F G H I J

■ Audio-rear board (reverse side)



■ Audio-front board (reverse side)



7

6

5

4

3

2

1

A

B

C

D

E

F

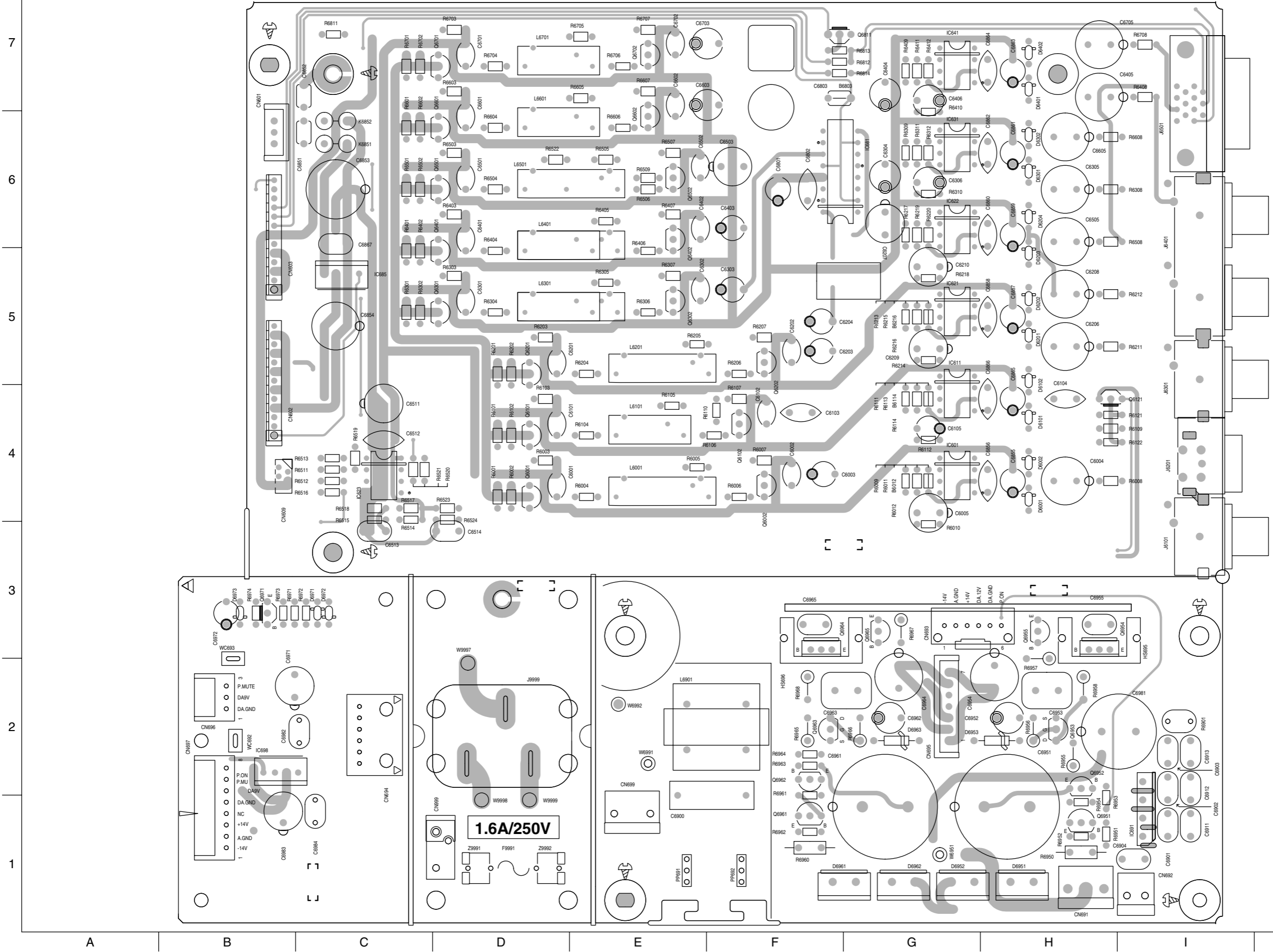
G

H

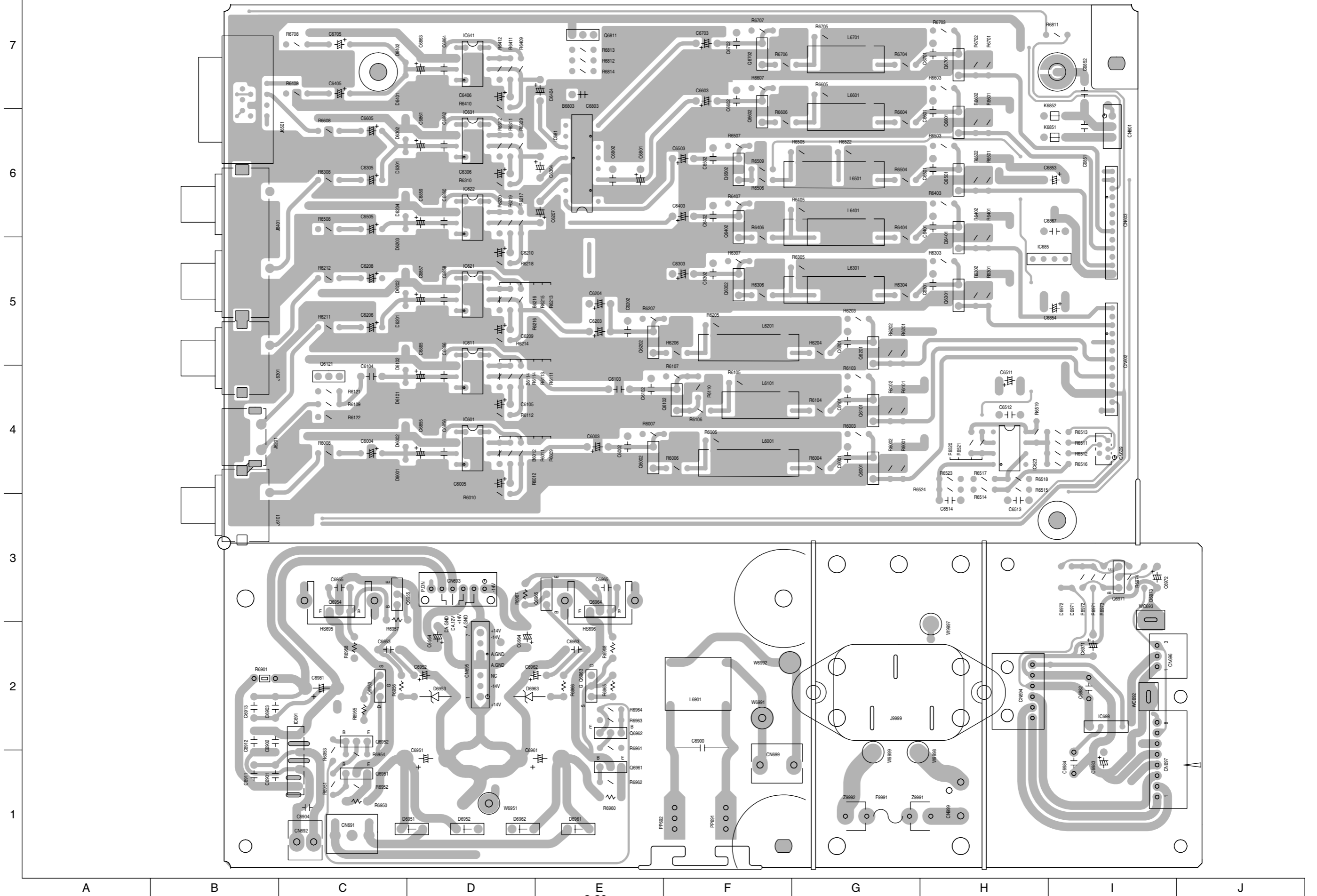
I

J

■ Video signal board (forward side)

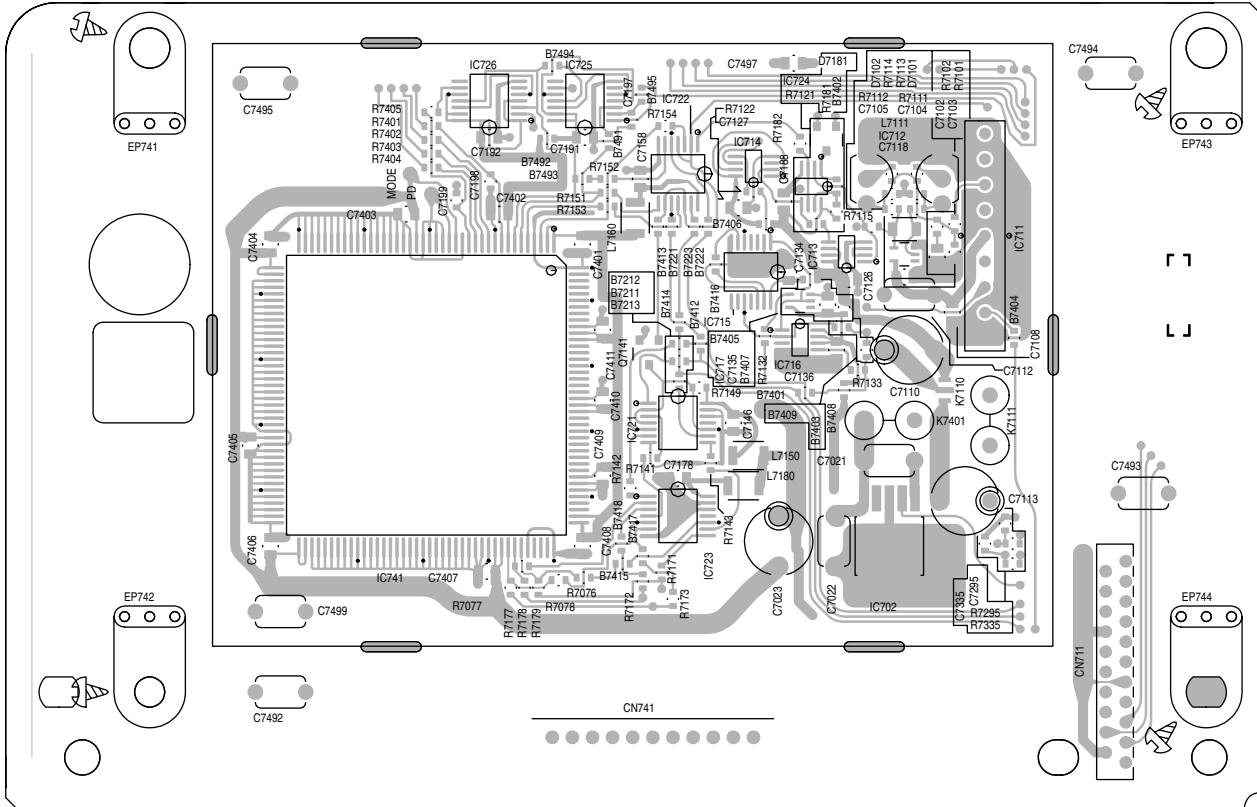


■ Video signal board (reverse side)

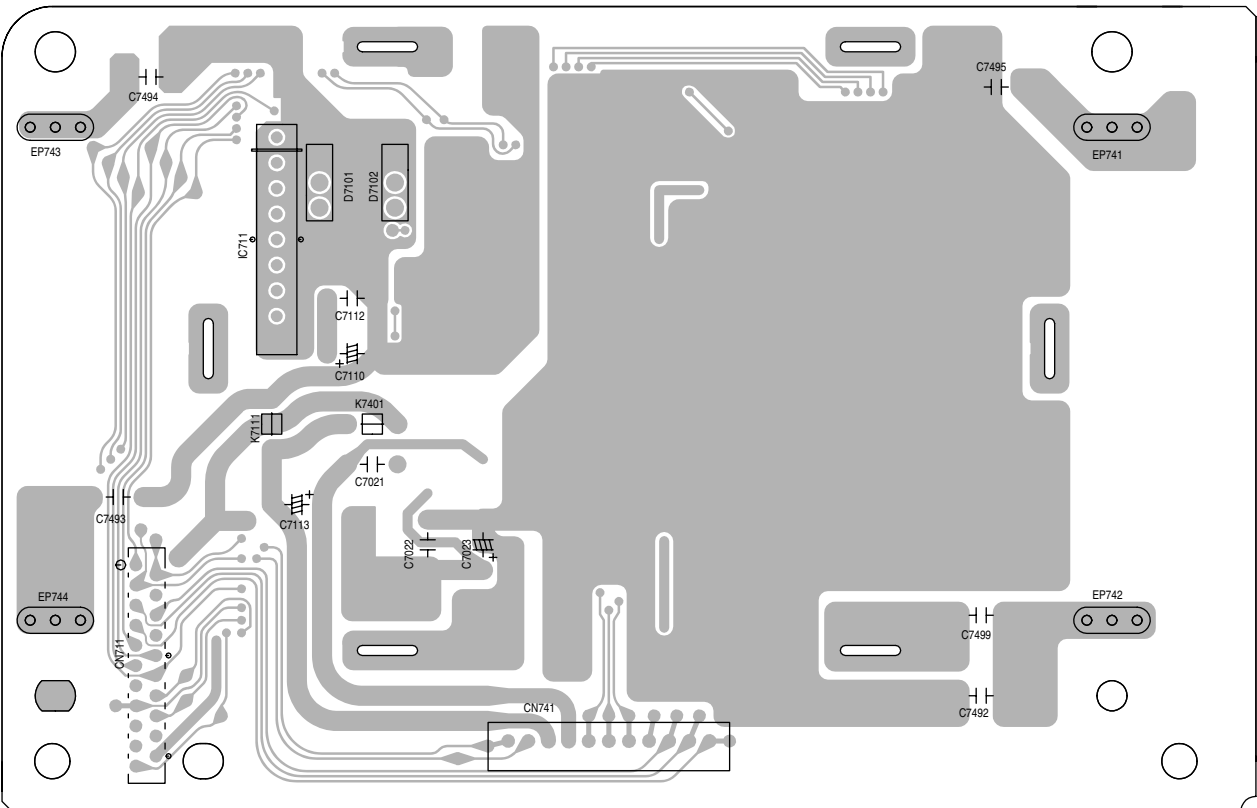


■ K2 Board

(Forward side)

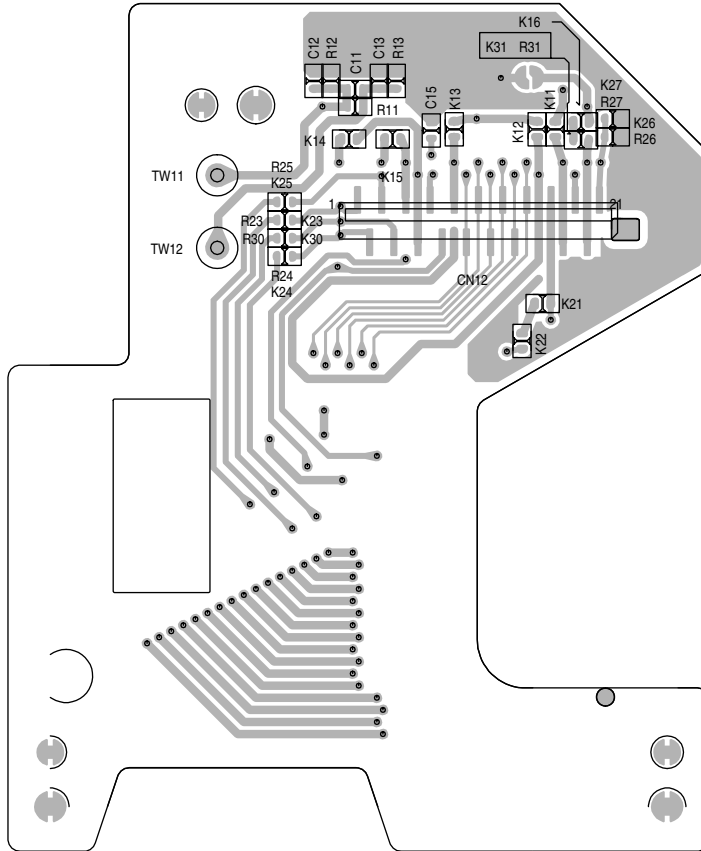


(Reverse side)



■ Mechanism board

(forward side)



(reverse side)

